

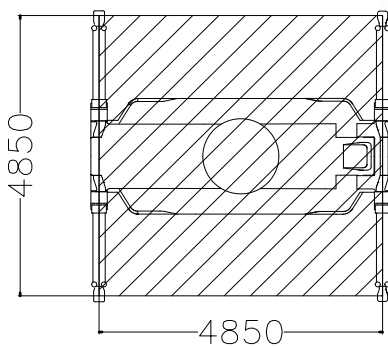
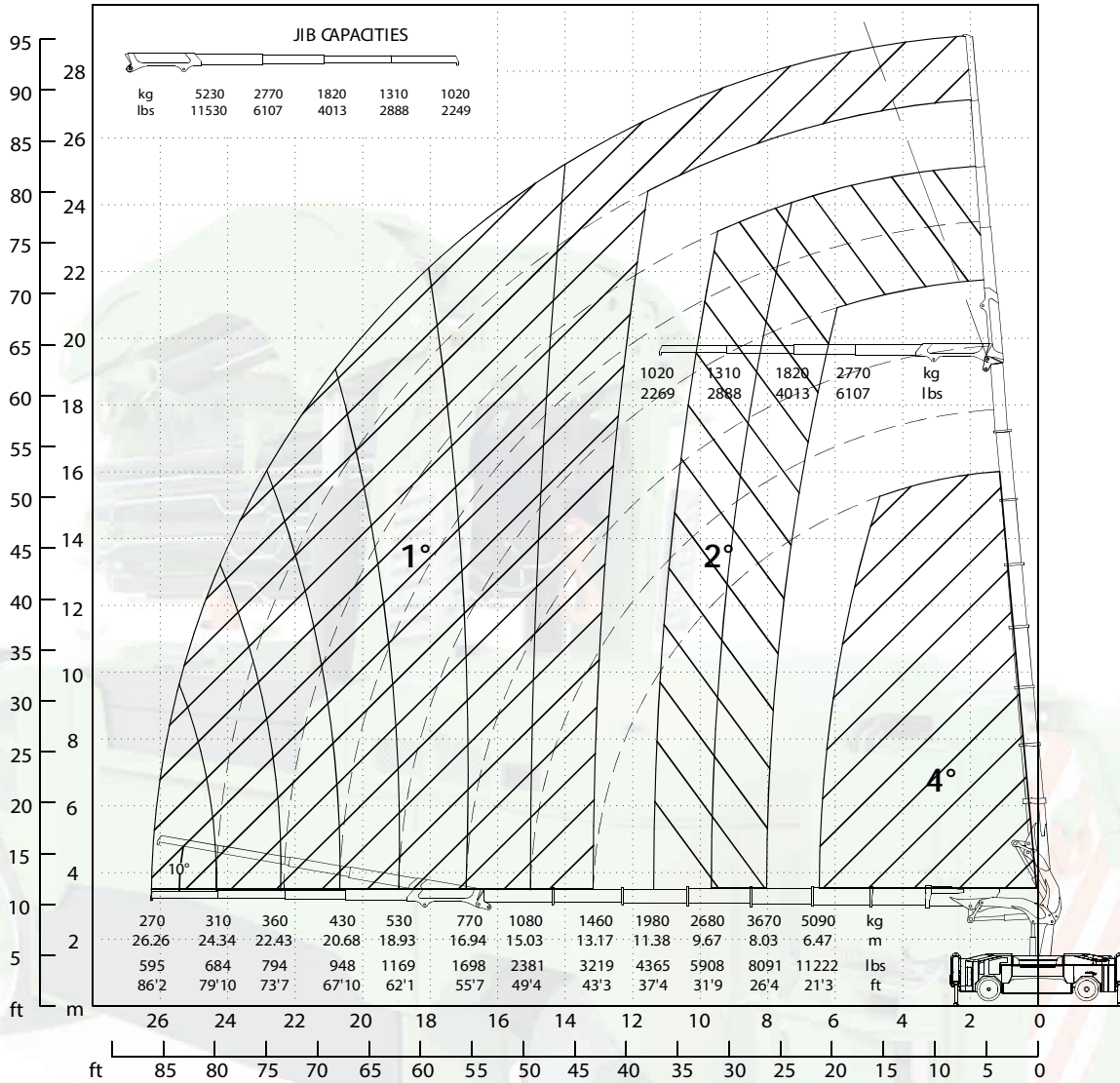
Hydraulic jib F134

Hydraulic jib F134 Winch

2 counterweights + stab.



Load charts



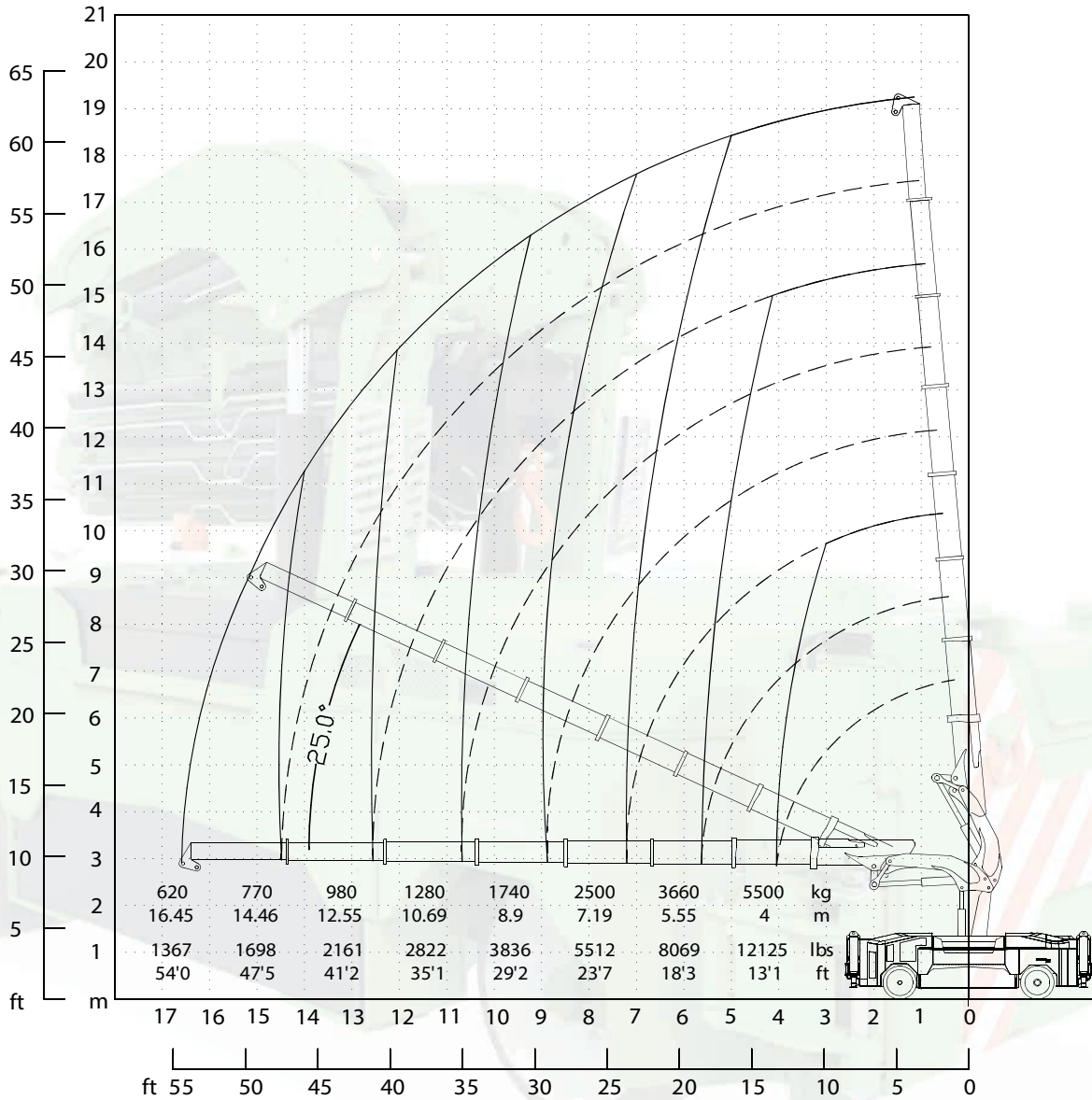
Maximum capacity
Winch: **5t**

N. MAX ROPE	4
5 t	
SINGLE ROPE	1
2 t	

Pick & Carry mode



Load charts



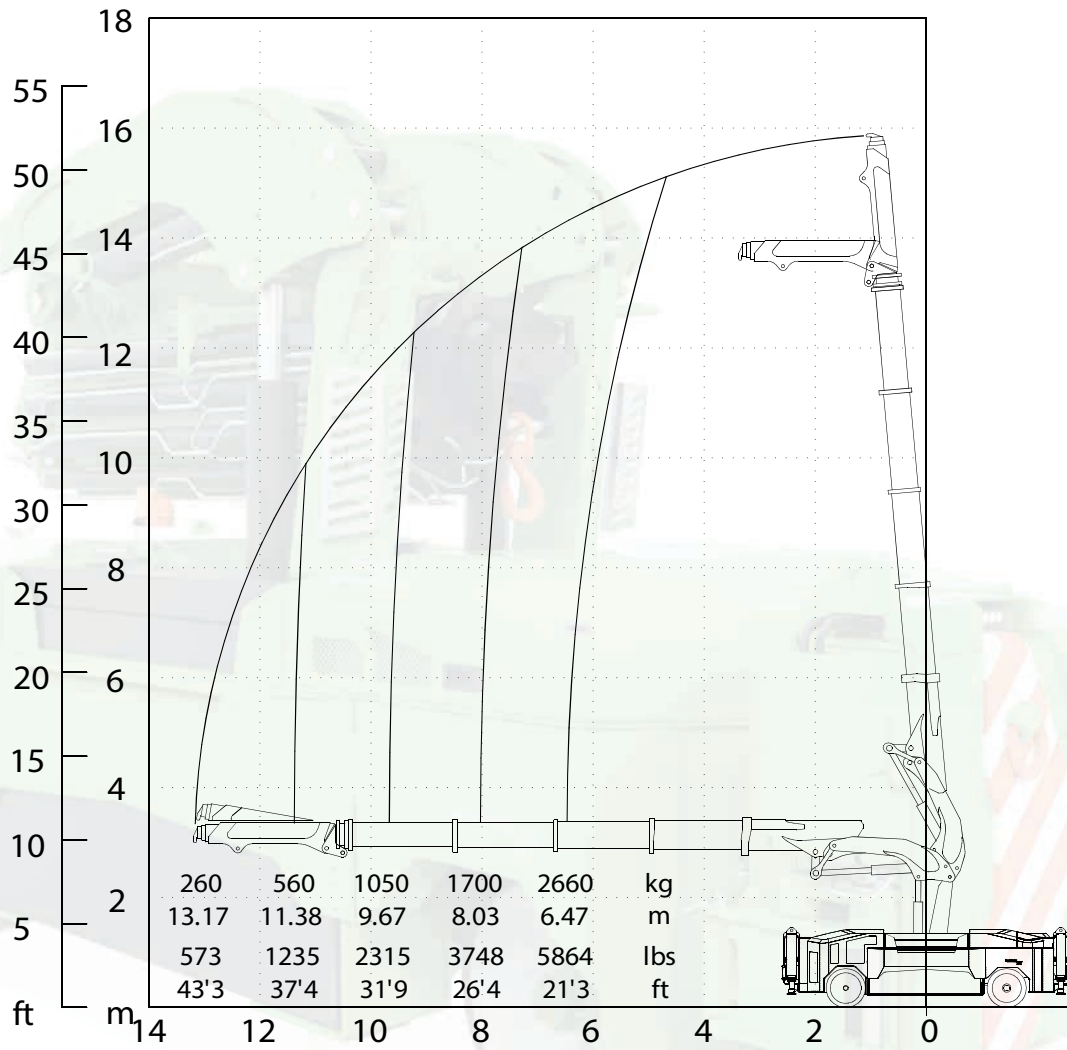
Pick & Carry mode
 Hook
 2 counterweights

Maximum capacity
 Head/Hook: **5,5t**

Pick & Carry mode



Load charts



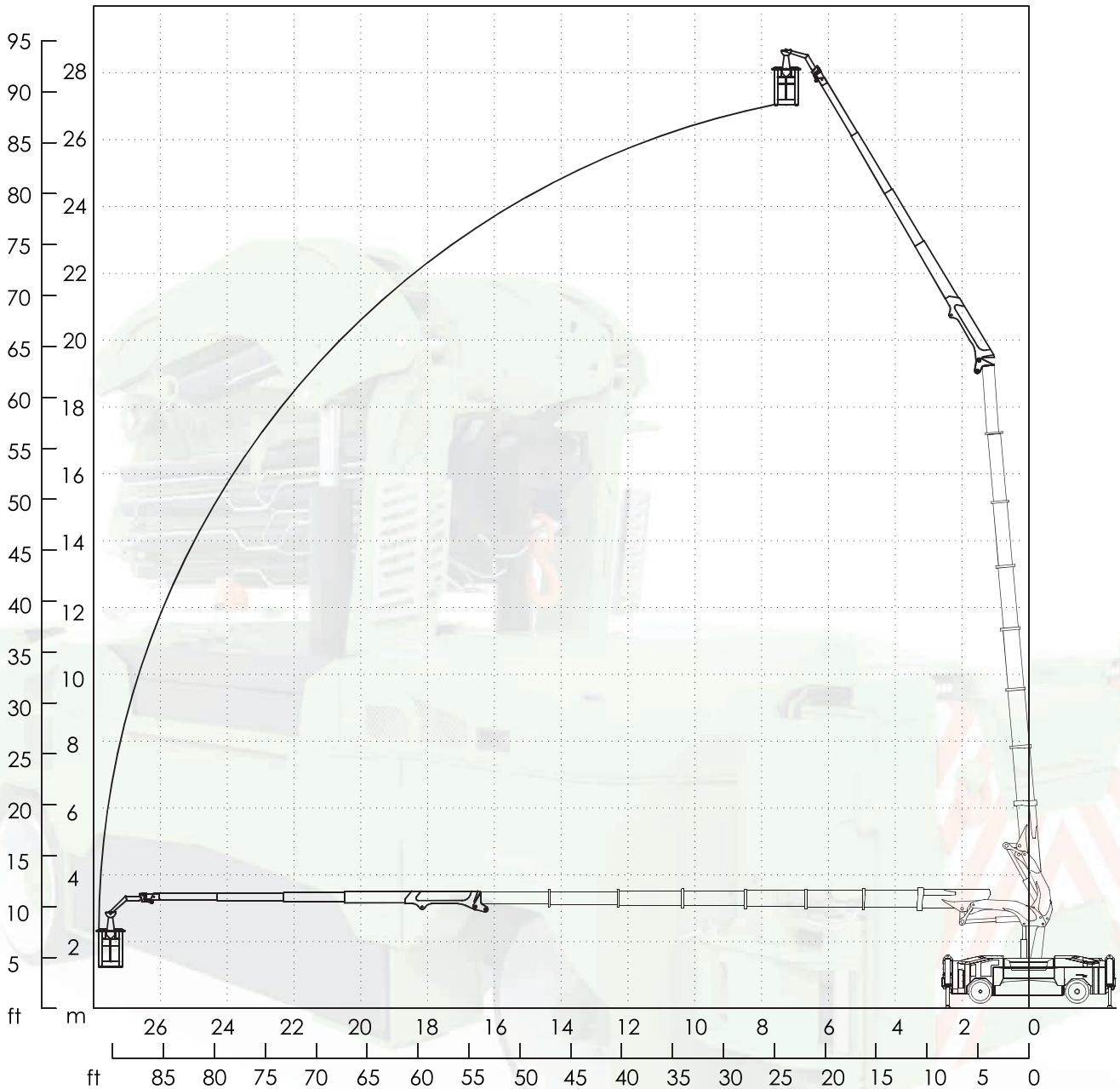
Pick & Carry mode
Hydraulic jib/Hook
2 counterweights

Maximum capacity
Hydraulic jib F134/Hook: **2,7t**

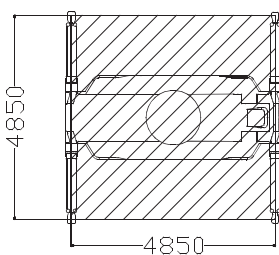
Men basket



Load charts



Men basket
2 counterweights



Maximum capacity
125 kg (1 Person + 45 kg of equipment)
200 kg (2 Persons + 40 kg of equipment)

Permitted use with maximum wind speed of 12.5 m/s - Beaufort scale no. 6