

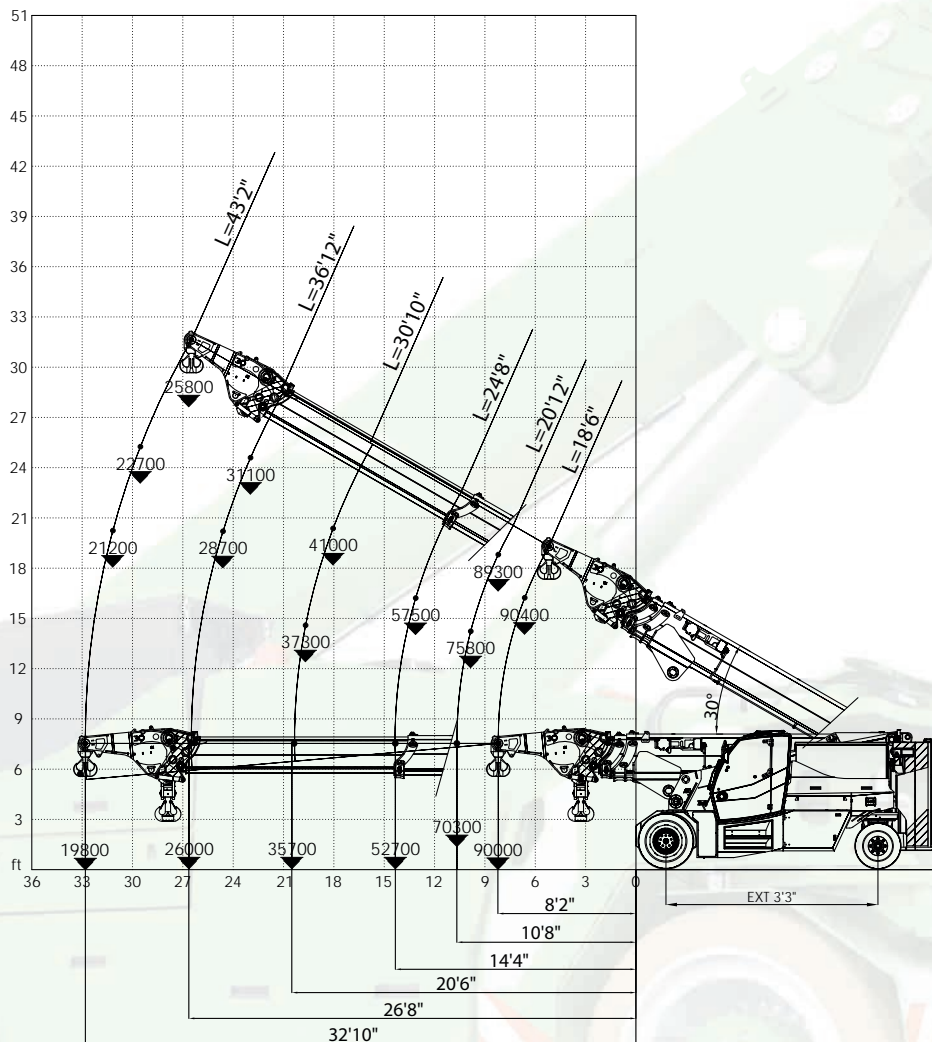


# Mechanical jib 90400lbs@4'-11"

|             |   |
|-------------|---|
| N. MAX ROPE |  |
| 90400 lbs   |   |
| SINGLE ROPE |  |
| 12100 lbs   |   |



Load charts



Mechanical jib 90400lbs@4'-11"

Hook/Winch



Extended counterweight to 3'-3"

Position UP

4 counterweights

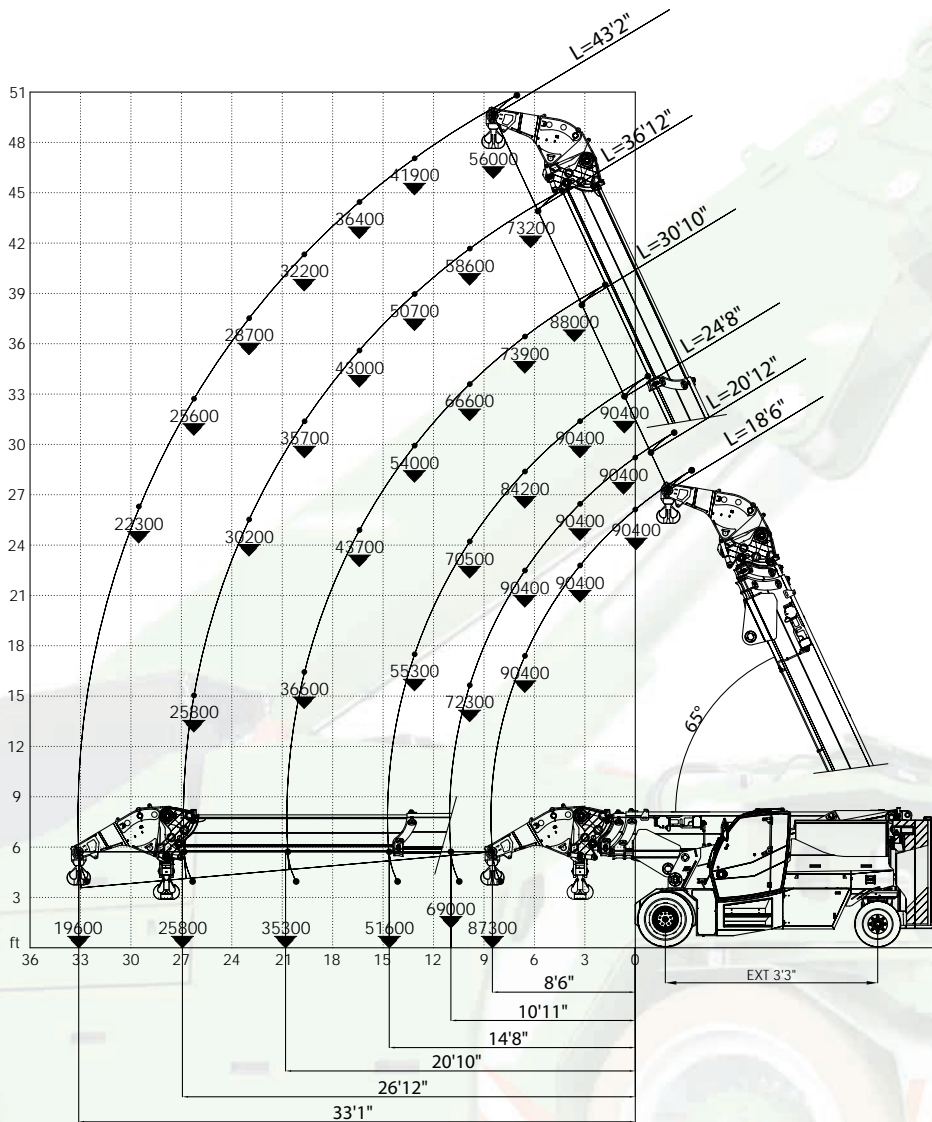
Maximum capacity  
Hook/Winch: **90400 lbs**

# Mechanical jib 90400lbs@4'-11"

|             |   |
|-------------|---|
| N. MAX ROPE |  |
| 90400 lbs   |   |
| SINGLE ROPE |  |
| 12100 lbs   |   |



Load charts



Mechanical jib 90400lbs@4'-11"

Hook/Winch

Extended counterweight to 3'-3"

Position DOWN

4 counterweights

Maximum capacity  
Hook/Winch: **90400 lbs**

# Mechanical jib 90400lbs@4'-11"

Maximum capacity  
Hook/Winch: **90400 lbs**

|             |  |
|-------------|--|
| N. MAX ROPE |  |
| 90400 lbs   |  |
| SINGLE ROPE |  |
| 12100 lbs   |  |



Load charts

|         | (lb)  | 18' 6" | 20' 12" | 24' 8" | 30' 10" | 36' 12" | 43' 2" |
|---------|-------|--------|---------|--------|---------|---------|--------|
| 0' 0"   |       |        |         |        |         |         |        |
| 1' 8"   |       |        |         |        |         |         |        |
| 3' 3"   |       |        |         |        |         |         |        |
| 4' 11"  |       |        |         |        |         |         |        |
| 6' 7"   | 90400 |        |         |        |         |         |        |
| 8' 2"   | 89900 | 89300  |         |        |         |         |        |
| 9' 10"  |       | 75800  |         |        |         |         |        |
| 10' 8"  |       | 70300  | 70500   |        |         |         |        |
| 11' 6"  |       |        | 65500   |        |         |         |        |
| 13' 1"  |       |        | 57500   |        |         |         |        |
| 14' 4"  |       |        | 52700   |        |         |         |        |
| 14' 9"  |       |        |         |        |         |         |        |
| 16' 5"  |       |        |         | 45400  |         |         |        |
| 18' 1"  |       |        |         | 41000  |         |         |        |
| 19' 8"  |       |        |         | 37300  |         |         |        |
| 20' 6"  |       |        |         | 35700  |         |         |        |
| 21' 4"  |       |        |         |        | 34000   |         |        |
| 22' 12" |       |        |         |        | 31100   |         |        |
| 24' 7"  |       |        |         |        | 28700   |         |        |
| 26' 3"  |       |        |         |        | 26700   |         |        |
| 26' 8"  |       |        |         |        | 26000   | 25800   |        |
| 27' 11" |       |        |         |        |         | 24500   |        |
| 29' 6"  |       |        |         |        |         | 22700   |        |
| 31' 2"  |       |        |         |        |         | 21200   |        |
| 32' 10" |       |        |         |        |         | 19800   |        |

|         | (lb)  | 18' 6" | 20' 12" | 24' 8" | 30' 10" | 36' 12" | 43' 2" |
|---------|-------|--------|---------|--------|---------|---------|--------|
| 0' 0"   |       |        |         |        |         |         |        |
| 1' 8"   |       |        |         |        |         |         |        |
| 3' 3"   |       |        |         |        |         |         |        |
| 4' 11"  |       |        |         |        |         |         |        |
| 6' 7"   | 90400 |        |         |        |         |         |        |
| 8' 2"   | 80900 | 80200  |         |        |         |         |        |
| 9' 10"  |       | 62400  |         |        |         |         |        |
| 10' 8"  |       | 56000  | 55100   |        |         |         |        |
| 11' 6"  |       |        | 50000   |        |         |         |        |
| 13' 1"  |       |        | 41700   |        |         |         |        |
| 14' 4"  |       |        | 36800   |        |         |         |        |
| 14' 9"  |       |        |         |        |         |         |        |
| 16' 5"  |       |        |         |        | 30400   |         |        |
| 18' 1"  |       |        |         |        | 26700   |         |        |
| 19' 8"  |       |        |         |        | 23600   |         |        |
| 20' 6"  |       |        |         |        | 22000   |         |        |
| 21' 4"  |       |        |         |        |         | 20500   |        |
| 22' 12" |       |        |         |        |         | 18100   |        |
| 24' 7"  |       |        |         |        |         | 16300   |        |
| 26' 3"  |       |        |         |        |         | 14800   |        |
| 26' 8"  |       |        |         |        |         | 14300   | 14100  |
| 27' 11" |       |        |         |        |         |         | 13000  |
| 29' 6"  |       |        |         |        |         |         | 11700  |
| 31' 2"  |       |        |         |        |         |         | 10600  |
| 32' 10" |       |        |         |        |         |         | 9700   |

Mechanical jib 90400lbs@4'-11"

Hook/Winch

Extended counterweight to 3'-3"

Position UP

4 counterweights

Mechanical jib 90400lbs@4'-11"

Hook/Winch

Extended counterweight to 3'-3"

Position UP

Open stab. at 1'-12"

# Mechanical jib 90400lbs@4'-11"

Maximum capacity  
Hook/Winch: **90400 lbs**

|             |  |
|-------------|--|
| N. MAX ROPE |  |
| 90400 lbs   |  |
| SINGLE ROPE |  |
| 12100 lbs   |  |



Load charts

|         | (lb)  | 18' 6" | 20' 12" | 24' 8" | 30' 10" | 36' 12" | 43' 2" |
|---------|-------|--------|---------|--------|---------|---------|--------|
| 0' 0"   | 90400 | 90400  | 90400   |        |         |         |        |
| 1' 8"   | 90400 | 90400  | 90400   | 88000  |         |         |        |
| 3' 3"   | 90400 | 90400  | 90400   | 83300  | 73200   |         |        |
| 4' 11"  | 90400 | 90400  | 88000   | 78300  | 72100   |         |        |
| 6' 7"   | 90400 | 90400  | 84200   | 73900  | 67500   | 56000   |        |
| 8' 2"   | 86400 | 82900  | 80900   | 69900  | 63100   | 52900   |        |
| 8' 6"   | 87300 | 80900  | 79400   | 69200  | 62200   | 52200   |        |
| 9' 10"  |       | 72300  | 70500   | 66600  | 58600   | 48700   |        |
| 10' 11" |       | 69000  | 64400   | 63500  | 55600   | 46300   |        |
| 11' 6"  |       |        | 61700   | 60600  | 54500   | 45200   |        |
| 13' 1"  |       |        | 55300   | 54000  | 50700   | 41900   |        |
| 14' 8"  |       |        | 51600   | 48500  | 47600   | 39200   |        |
| 14' 9"  |       |        |         | 48500  | 47400   | 39000   |        |
| 16' 5"  |       |        |         | 43700  | 43000   | 36400   |        |
| 18' 1"  |       |        |         | 39700  | 39200   | 34200   |        |
| 19' 8"  |       |        |         | 36600  | 35700   | 32200   |        |
| 20' 10" |       |        |         | 35300  | 33700   | 30900   |        |
| 21' 4"  |       |        |         |        | 32800   | 30200   |        |
| 22' 12" |       |        |         |        | 30200   | 28700   |        |
| 24' 7"  |       |        |         |        | 28200   | 27100   |        |
| 26' 3"  |       |        |         |        | 25800   | 25600   |        |
| 26' 12" |       |        |         |        | 25800   | 25100   |        |
| 27' 11" |       |        |         |        |         | 24000   |        |
| 29' 6"  |       |        |         |        |         | 22300   |        |
| 31' 2"  |       |        |         |        |         | 20900   |        |
| 32' 10" |       |        |         |        |         | 19600   |        |
| 33' 1"  |       |        |         |        |         | 19600   |        |

|         | (lb)  | 18' 6" | 20' 12" | 24' 8" | 30' 10" | 36' 12" | 43' 2" |
|---------|-------|--------|---------|--------|---------|---------|--------|
| 0' 0"   | 90400 | 90400  | 90400   |        |         |         |        |
| 1' 8"   | 90400 | 90400  | 90400   | 88000  |         |         |        |
| 3' 3"   | 90400 | 90400  | 90400   | 83300  | 73200   |         |        |
| 4' 11"  | 90400 | 90400  | 88000   | 78300  | 72100   |         |        |
| 6' 7"   | 90400 | 90400  | 84200   | 73900  | 67500   | 56000   |        |
| 8' 2"   | 76700 | 71700  | 69200   | 69000  | 63100   | 52900   |        |
| 8' 6"   | 77400 | 69000  | 66800   | 66400  | 62200   | 52200   |        |
| 9' 10"  |       | 58400  | 55800   | 55300  | 54700   | 48700   |        |
| 10' 11" |       | 54200  | 49400   | 48700  | 48100   | 46300   |        |
| 11' 6"  |       |        | 46500   | 46100  | 45400   | 44800   |        |
| 13' 1"  |       |        | 39700   | 39000  | 38100   | 37700   |        |
| 14' 8"  |       |        | 35900   | 34000  | 33300   | 32600   |        |
| 14' 9"  |       |        |         | 33500  | 32800   | 32400   |        |
| 16' 5"  |       |        |         | 29100  | 28700   | 28200   |        |
| 18' 1"  |       |        |         | 25800  | 25100   | 24700   |        |
| 19' 8"  |       |        |         | 22900  | 22300   | 22000   |        |
| 20' 10" |       |        |         | 21600  | 20500   | 20300   |        |
| 21' 4"  |       |        |         |        | 19800   | 19600   |        |
| 22' 12" |       |        |         |        | 17900   | 17400   |        |
| 24' 7"  |       |        |         |        | 16100   | 15700   |        |
| 26' 3"  |       |        |         |        | 14300   | 14300   |        |
| 26' 12" |       |        |         |        | 14300   | 13700   |        |
| 27' 11" |       |        |         |        |         | 12800   |        |
| 29' 6"  |       |        |         |        |         | 11700   |        |
| 31' 2"  |       |        |         |        |         | 10600   |        |
| 32' 10" |       |        |         |        |         | 9700    |        |
| 33' 1"  |       |        |         |        |         | 9700    |        |

Mechanical jib 90400lbs@4'-11"

Hook/Winch

Extended counterweight to 3'-3"

Position DOWN

4 counterweights

Mechanical jib 90400lbs@4'-11"



Hook/Winch

Extended counterweight to 3'-3"

Position DOWN

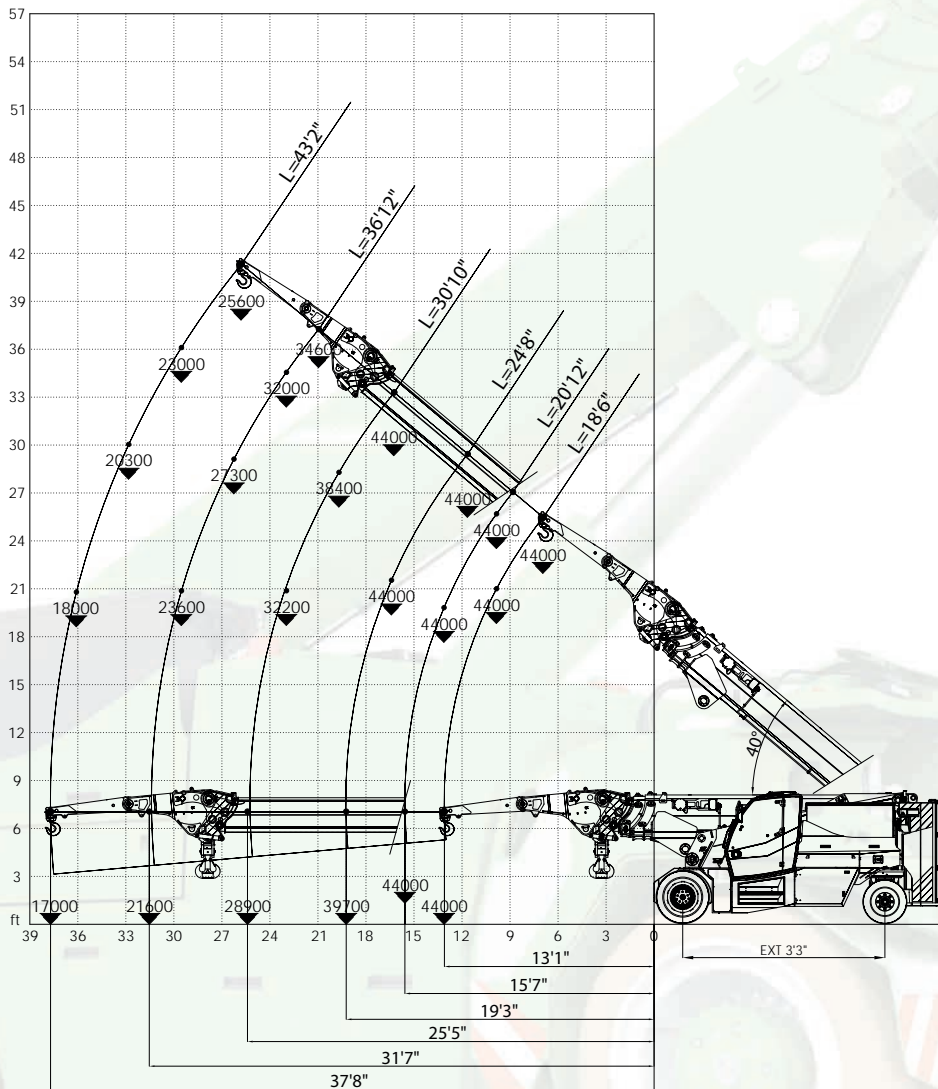
Open stab. at 1'-12"

# Extension 44000lbs@4'-11" on mechanical jib 90400lbs@4'-11"

|   |
|---|
| N. MAX ROPE  |
| 44000 lbs   |
| SINGLE ROPE  |
| 12100 lbs   |





Load charts



Extension 44000lbs@4'-11"  
 Mechanical jib 90400lbs@4'-11"  
 Hook/Winch  
 Extended counterweight to 3'-3"  
 Position UP  
 4 counterweights

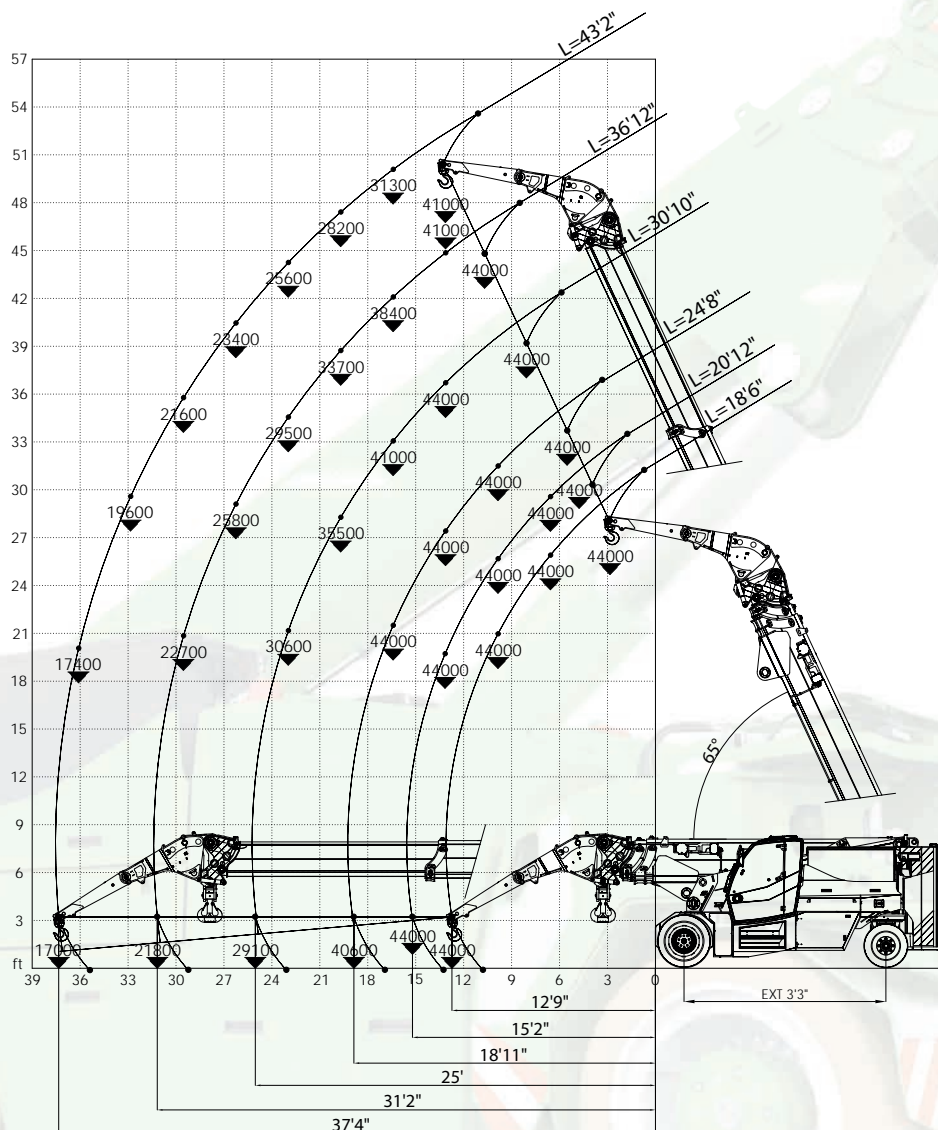
Maximum capacity  
 Hook/Winch: **44000 lbs**

# Extension 44000lbs@4'-11" on mechanical jib 90400lbs@4'-11"

|             |   |
|-------------|---|
| N. MAX ROPE |  |
| 44000 lbs   |   |
| SINGLE ROPE |  |
| 12100 lbs   |   |



Load charts



Extension 44000lbs@4'-11"

Mechanical jib 90400lbs@4'-11"

Hook/Winch

Extended counterweight to 3'-3"

Position DOWN

4 counterweights

Maximum capacity  
Hook/Winch: **44000 lbs**

# Extension 44000lbs@4'-11" on mechanical jib 90400lbs@4'-11"

Maximum capacity  
Hook/Winch: **44000 lbs**

|               |  |
|---------------|--|
| N. MAX ROPE ↘ |  |
| 44000 lbs     |  |
| SINGLE ROPE ↓ |  |
| 12100 lbs     |  |



Load charts

|  |         |        |         |        | Z1      | Z2      | Z3     | Z4    |
|--|---------|--------|---------|--------|---------|---------|--------|-------|
|  |         |        |         |        |         |         |        |       |
|  | (lb)    | 18' 6" | 20' 12" | 24' 8" | 30' 10" | 36' 12" | 43' 2" |       |
|  | 0' 0"   |        |         |        |         |         |        |       |
|  | 1' 8"   |        |         |        |         |         |        |       |
|  | 3' 3"   |        |         |        |         |         |        |       |
|  | 4' 11"  |        |         |        |         |         |        |       |
|  | 6' 7"   |        |         |        |         |         |        |       |
|  | 8' 2"   | 44100  |         |        |         |         |        |       |
|  | 9' 10"  | 44100  | 44100   |        |         |         |        |       |
|  | 11' 6"  | 44100  | 44100   |        |         |         |        |       |
|  | 13' 1"  | 44100  | 44100   | 44100  |         |         |        |       |
|  | 13' 1"  |        | 44100   | 44100  |         |         |        |       |
|  | 14' 9"  |        | 44100   | 44100  |         |         |        |       |
|  | 15' 7"  |        | 44100   | 44100  |         |         |        |       |
|  | 16' 5"  |        |         | 44100  | 44100   |         |        |       |
|  | 18' 1"  |        |         | 43000  | 42100   |         |        |       |
|  | 19' 3"  |        |         | 39700  | 39500   |         |        |       |
|  | 19' 8"  |        |         |        | 38400   |         |        |       |
|  | 21' 4"  |        |         |        | 35300   | 34600   |        |       |
|  | 22' 12" |        |         |        | 32200   | 32000   |        |       |
|  | 24' 7"  |        |         |        | 29800   | 29300   |        |       |
|  | 25' 5"  |        |         |        | 28900   | 28400   |        |       |
|  | 26' 3"  |        |         |        |         | 27300   | 25600  |       |
|  | 27' 11" |        |         |        |         | 25400   | 24300  |       |
|  | 29' 6"  |        |         |        |         | 23600   | 22900  |       |
|  | 31' 2"  |        |         |        |         | 22000   | 21800  |       |
|  | 31' 7"  |        |         |        |         |         | 21600  |       |
|  | 32' 10" |        |         |        |         |         |        | 20300 |
|  | 34' 5"  |        |         |        |         |         |        | 19200 |
|  | 36' 1"  |        |         |        |         |         |        | 17900 |
|  | 37' 8"  |        |         |        |         |         |        | 17000 |

|  |         |        |         |        | NZ      |         |        |
|--|---------|--------|---------|--------|---------|---------|--------|
|  |         |        |         |        |         |         |        |
|  | (lb)    | 18' 6" | 20' 12" | 24' 8" | 30' 10" | 36' 12" | 43' 2" |
|  | 0' 0"   |        |         |        |         |         |        |
|  | 1' 8"   |        |         |        |         |         |        |
|  | 3' 3"   |        |         |        |         |         |        |
|  | 4' 11"  |        |         |        |         |         |        |
|  | 6' 7"   |        |         |        |         |         |        |
|  | 8' 2"   | 44100  |         |        |         |         |        |
|  | 9' 10"  | 44100  | 44100   |        |         |         |        |
|  | 11' 6"  | 44100  | 44100   |        |         |         |        |
|  | 13' 1"  | 44100  | 44100   | 43900  |         |         |        |
|  | 13' 1"  |        | 44100   | 43700  |         |         |        |
|  | 14' 9"  |        | 38100   | 37500  |         |         |        |
|  | 15' 7"  |        | 35300   | 34600  |         |         |        |
|  | 16' 5"  |        |         | 32200  | 32200   |         |        |
|  | 18' 1"  |        |         | 28400  | 28200   |         |        |
|  | 19' 3"  |        |         | 26000  | 25600   |         |        |
|  | 19' 8"  |        |         |        | 24900   |         |        |
|  | 21' 4"  |        |         |        | 22000   | 21600   |        |
|  | 22' 12" |        |         |        | 19800   | 19400   |        |
|  | 24' 7"  |        |         |        | 17900   | 17400   |        |
|  | 25' 5"  |        |         |        | 17000   | 16500   |        |
|  | 26' 3"  |        |         |        |         | 15700   | 15400  |
|  | 27' 11" |        |         |        |         | 14100   | 13900  |
|  | 29' 6"  |        |         |        |         | 13000   | 12600  |
|  | 31' 2"  |        |         |        |         | 11700   | 11500  |
|  | 31' 7"  |        |         |        |         | 11500   | 11200  |
|  | 32' 10" |        |         |        |         |         | 10400  |
|  | 34' 5"  |        |         |        |         |         | 9500   |
|  | 36' 1"  |        |         |        |         |         | 8600   |
|  | 37' 8"  |        |         |        |         |         | 7900   |

Extension 44000lbs@4'-11"  
Mechanical jib 90400lbs@4'-11"  
Hook/Winch  
Extended counterweight to 3'-3"  
Position UP  
4 counterweights

Extension 44000lbs@4'-11"  
Mechanical jib 90400lbs@4'-11"  
Hook/Winch  
Extended counterweight to 3'-3"  
Position UP  
Open stab. at 1'-12"

# Extension 44000lbs@4'-11" on mechanical jib 90400lbs@4'-11"

Maximum capacity  
Hook/Winch: **44000 lbs**

|               |  |
|---------------|--|
| N. MAX ROPE ↘ |  |
| 44000 lbs     |  |
| SINGLE ROPE ↓ |  |
| 12100 lbs     |  |



Load charts



| (lb)    | 18' 6" | 20' 12" | 24' 8" | 30' 10" | 36' 12" | 43' 2" |  |
|---------|--------|---------|--------|---------|---------|--------|--|
| 0' 0"   | 44100  | 44100   | 44100  |         |         |        |  |
| 1' 8"   | 44100  | 44100   | 44100  |         |         |        |  |
| 3' 3"   | 44100  | 44100   | 44100  | 44100   |         |        |  |
| 4' 11"  | 44100  | 44100   | 44100  | 44100   | 44100   |        |  |
| 6' 7"   | 44100  | 44100   | 44100  | 44100   | 44100   |        |  |
| 8' 2"   | 44100  | 44100   | 44100  | 44100   | 44100   | 41000  |  |
| 9' 10"  | 44100  | 44100   | 44100  | 44100   | 44100   | 39700  |  |
| 11' 6"  | 44100  | 44100   | 44100  | 44100   | 42500   | 37300  |  |
| 12' 9"  | 44100  | 44100   | 44100  | 44100   | 41400   | 35700  |  |
| 13' 1"  |        | 44100   | 44100  | 44100   | 41000   | 35100  |  |
| 14' 9"  |        | 44100   | 44100  | 44100   | 39700   | 33100  |  |
| 15' 2"  |        | 44100   | 44100  | 43700   | 39200   | 32600  |  |
| 16' 5"  |        |         | 43900  | 41000   | 38400   | 31300  |  |
| 18' 1"  |        |         | 40600  | 38100   | 36400   | 29500  |  |
| 18' 11" |        |         | 40600  | 36600   | 34800   | 28900  |  |
| 19' 8"  |        |         |        | 35500   | 33700   | 28200  |  |
| 21' 4"  |        |         |        | 33100   | 31500   | 26900  |  |
| 22' 12" |        |         |        | 30600   | 29500   | 25600  |  |
| 24' 7"  |        |         |        | 29300   | 27600   | 24500  |  |
| 25' 0"  |        |         |        | 29100   | 27100   | 24000  |  |
| 26' 3"  |        |         |        |         | 25800   | 23400  |  |
| 27' 11" |        |         |        |         | 24300   | 22500  |  |
| 29' 6"  |        |         |        |         | 22700   | 21600  |  |
| 31' 2"  |        |         |        |         | 21800   | 20700  |  |
| 31' 2"  |        |         |        |         | 21800   | 20700  |  |
| 32' 10" |        |         |        |         |         | 19600  |  |
| 34' 5"  |        |         |        |         |         | 18500  |  |
| 36' 1"  |        |         |        |         |         | 17400  |  |
| 37' 4"  |        |         |        |         |         | 17000  |  |

| (lb)    | 18' 6" | 20' 12" | 24' 8" | 30' 10" | 36' 12" | 43' 2" |  |
|---------|--------|---------|--------|---------|---------|--------|--|
| 0' 0"   | 44100  | 44100   | 44100  |         |         |        |  |
| 1' 8"   | 44100  | 44100   | 44100  |         |         |        |  |
| 3' 3"   | 44100  | 44100   | 44100  | 44100   |         |        |  |
| 4' 11"  | 44100  | 44100   | 44100  | 44100   | 44100   |        |  |
| 6' 7"   | 44100  | 44100   | 44100  | 44100   | 44100   |        |  |
| 8' 2"   | 44100  | 44100   | 44100  | 44100   | 44100   | 41000  |  |
| 9' 10"  | 44100  | 44100   | 44100  | 44100   | 42500   | 39700  |  |
| 11' 6"  | 44100  | 44100   | 41200  | 38800   | 36800   | 35700  |  |
| 12' 9"  | 44100  | 40800   | 37700  | 35300   | 33500   | 32200  |  |
| 13' 1"  |        | 39500   | 36600  | 34200   | 32400   | 31300  |  |
| 14' 9"  |        | 36600   | 33100  | 30400   | 28700   | 27800  |  |
| 15' 2"  |        | 36400   | 32200  | 29500   | 28000   | 26900  |  |
| 16' 5"  |        |         | 29500  | 27300   | 25800   | 24900  |  |
| 18' 1"  |        |         | 26700  | 24900   | 23100   | 22300  |  |
| 18' 11" |        |         | 26700  | 23600   | 22000   | 21200  |  |
| 19' 8"  |        |         |        | 22700   | 20900   | 20100  |  |
| 21' 4"  |        |         |        | 20500   | 19200   | 18300  |  |
| 22' 12" |        |         |        | 18500   | 17400   | 16500  |  |
| 24' 7"  |        |         |        | 17200   | 16100   | 15200  |  |
| 25' 0"  |        |         |        | 17200   | 15700   | 14800  |  |
| 26' 3"  |        |         |        |         | 14800   | 13900  |  |
| 27' 11" |        |         |        |         | 13400   | 12800  |  |
| 29' 6"  |        |         |        |         | 12300   | 11700  |  |
| 31' 2"  |        |         |        |         | 11700   | 10800  |  |
| 31' 2"  |        |         |        |         | 11700   | 10800  |  |
| 32' 10" |        |         |        |         |         | 9900   |  |
| 34' 5"  |        |         |        |         |         | 9000   |  |
| 36' 1"  |        |         |        |         |         | 8400   |  |
| 37' 4"  |        |         |        |         |         | 7900   |  |

Extension 44000lbs@4'-11"  
Mechanical jib 90400lbs@4'-11"  
Hook/Winch  
Extended counterweight to 3'-3"  
Position DOWN  
4 counterweights

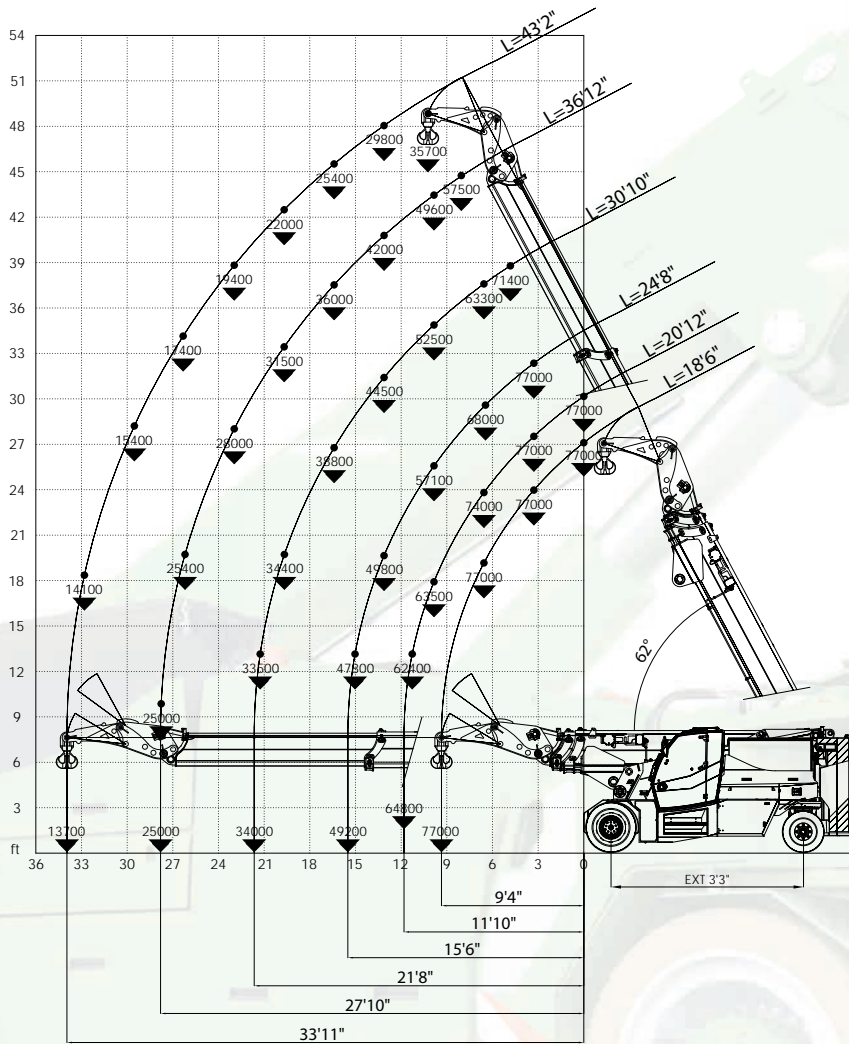
Extension 44000lbs@4'-11"  
Mechanical jib 90400lbs@4'-11"  
Hook/Winch  
Extended counterweight to 3'-3"  
Position DOWN  
Open stab. at 1'-12"

# Articulated jib 77000lbs@6'-1"

|             |   |
|-------------|---|
| N. MAX ROPE |  |
| 77000 lbs   |   |
| SINGLE ROPE |  |
| 12100 lbs   |   |



Load charts



Articulated jib 77000lbs@6'-1"

Hook/Winch



Extended counterweight to 3'-3"

Position UP

4 counterweights

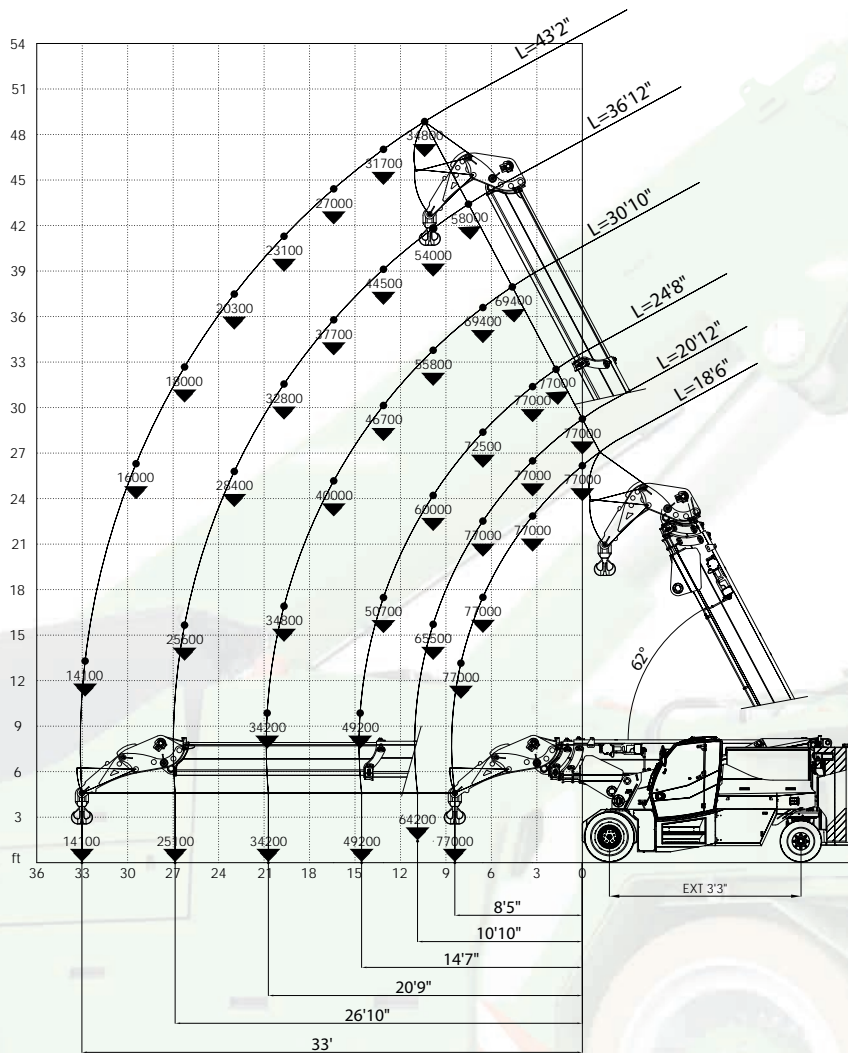
Maximum capacity  
Hook/Winch: **77000 lbs**

# Articulated jib 77000lbs@6'-1"

|   |
|---|
| N. MAX ROPE  |
| 77000 lbs   |
| SINGLE ROPE  |
| 12100 lbs   |



Load charts



Articulated jib 77000lbs@6'-1"

Hook/Winch

Extended counterweight to 3'-3"

Position DOWN

4 counterweights

Maximum capacity  
Hook/Winch: **77000 lbs**

# Articulated jib 77000lbs@6'-1"

Maximum capacity  
Hook/Winch: **77000 lbs**

|             |  |
|-------------|--|
| N. MAX ROPE |  |
| 77000 lbs   |  |
| SINGLE ROPE |  |
| 12100 lbs   |  |



Load charts

|  |         |        |            |        | Z1 Z2   | Z3 Z4   |        |
|--|---------|--------|------------|--------|---------|---------|--------|
|  |         | 0mm    | SFILO 1000 |        |         |         |        |
|  |         |        |            |        |         |         |        |
|  | (lb)    | 18' 6" | 20' 12"    | 24' 8" | 30' 10" | 36' 12" | 43' 2" |
|  | 0' 0"   | 77200  | 77200      | 77200  |         |         |        |
|  | 1' 8"   | 77200  | 77200      | 77200  |         |         |        |
|  | 3' 3"   | 77200  | 77200      | 77200  |         |         |        |
|  | 4' 11"  | 77200  | 77200      | 75600  | 71400   |         |        |
|  | 6' 7"   | 77200  | 73900      | 67900  | 63300   |         |        |
|  | 8' 2"   | 76300  | 68300      | 61700  | 57500   | 54700   |        |
|  | 9' 4"   | 77200  | 64800      | 58600  | 54000   | 51100   | 36800  |
|  | 9' 10"  |        | 63500      | 57100  | 52500   | 49600   | 35700  |
|  | 11' 6"  |        | 62400      | 53100  | 48100   | 45600   | 32400  |
|  | 11' 10" |        | 64800      | 52700  | 47000   | 44800   | 32000  |
|  | 13' 1"  |        |            | 49800  | 44500   | 41900   | 29800  |
|  | 14' 9"  |        |            | 47800  | 41200   | 38800   | 27300  |
|  | 15' 6"  |        |            | 49200  | 40300   | 37500   | 26500  |
|  | 16' 5"  |        |            |        | 38800   | 35900   | 25400  |
|  | 18' 1"  |        |            |        | 36400   | 33500   | 23600  |
|  | 19' 8"  |        |            |        | 34400   | 31500   | 22000  |
|  | 21' 4"  |        |            |        | 33500   | 29800   | 20700  |
|  | 21' 8"  |        |            |        | 34000   | 29300   | 20500  |
|  | 22' 12" |        |            |        |         | 28000   | 19400  |
|  | 24' 7"  |        |            |        |         | 26500   | 18300  |
|  | 26' 3"  |        |            |        |         | 25400   | 17400  |
|  | 27' 10" |        |            |        |         | 24900   | 16500  |
|  | 27' 11" |        |            |        |         |         | 16500  |
|  | 29' 6"  |        |            |        |         |         | 15400  |
|  | 31' 2"  |        |            |        |         |         | 14800  |
|  | 32' 10" |        |            |        |         |         | 14100  |
|  | 33' 11" |        |            |        |         |         | 13700  |

|  |         |        |            |        | NZ      |         |        |
|--|---------|--------|------------|--------|---------|---------|--------|
|  |         | 600mm  | SFILO 1000 |        |         |         |        |
|  |         |        |            |        |         |         |        |
|  | (lb)    | 18' 6" | 20' 12"    | 24' 8" | 30' 10" | 36' 12" | 43' 2" |
|  | 0' 0"   | 77200  | 77200      | 77200  |         |         |        |
|  | 1' 8"   | 77200  | 77200      | 77200  |         |         |        |
|  | 3' 3"   | 77200  | 77200      | 75000  |         |         |        |
|  | 4' 11"  | 77200  | 69700      | 62400  | 58000   |         |        |
|  | 6' 7"   | 69700  | 60600      | 53600  | 49400   |         |        |
|  | 8' 2"   | 63500  | 54000      | 47000  | 42800   | 40100   |        |
|  | 9' 4"   | 68300  | 50300      | 43200  | 39000   | 36600   | 35300  |
|  | 9' 10"  |        | 48700      | 42100  | 37700   | 35300   | 34000  |
|  | 11' 6"  |        | 47000      | 37900  | 33500   | 31100   | 29800  |
|  | 11' 10" |        | 49400      | 37300  | 32800   | 30600   | 29100  |
|  | 13' 1"  |        |            | 34600  | 30200   | 28000   | 26700  |
|  | 14' 9"  |        |            | 32600  | 27300   | 25100   | 23800  |
|  | 15' 6"  |        |            | 33700  | 26200   | 24000   | 22900  |
|  | 16' 5"  |        |            |        | 25100   | 22700   | 21400  |
|  | 18' 1"  |        |            |        | 22900   | 20700   | 19600  |
|  | 19' 8"  |        |            |        | 21400   | 19200   | 17900  |
|  | 21' 4"  |        |            |        | 20300   | 17600   | 16300  |
|  | 21' 8"  |        |            |        | 20700   | 17200   | 16100  |
|  | 22' 12" |        |            |        |         | 16100   | 15000  |
|  | 24' 7"  |        |            |        |         | 15000   | 13900  |
|  | 26' 3"  |        |            |        |         | 14100   | 12800  |
|  | 27' 10" |        |            |        |         | 13700   | 11900  |
|  | 27' 11" |        |            |        |         |         | 11700  |
|  | 29' 6"  |        |            |        |         |         | 11000  |
|  | 31' 2"  |        |            |        |         |         | 10100  |
|  | 32' 10" |        |            |        |         |         | 9500   |
|  | 33' 11" |        |            |        |         |         | 9300   |

Articulated jib 77000lbs@6'-1"  
Hook/Winch  
Extended counterweight to 3'-3"  
Position UP  
4 counterweights

Articulated jib 77000lbs@6'-1"  
Hook/Winch  
Extended counterweight to 3'-3"  
Position UP  
Open stab. at 1'-12"

# Articulated jib 77000lbs@6'-1"

Maximum capacity  
Hook/Winch: **77000 lbs**

|             |  |
|-------------|--|
| N. MAX ROPE |  |
| 77000 lbs   |  |
| SINGLE ROPE |  |
| 12100 lbs   |  |



Load charts



|  |         | 0mm    | SFILO 1000 | Z1 Z2  | Z3 Z4   |         |        |
|--|---------|--------|------------|--------|---------|---------|--------|
|  | (lb)    |        |            |        |         |         |        |
|  |         | 18' 6" | 20' 12"    | 24' 8" | 30' 10" | 36' 12" | 43' 2" |
|  | 0' 0"   | 77200  | 77200      |        |         |         |        |
|  | 1' 8"   | 77200  | 77200      |        |         |         |        |
|  | 3' 3"   | 77200  | 77200      | 77200  |         |         |        |
|  | 4' 11"  | 77200  | 77200      | 77200  |         |         |        |
|  | 6' 7"   | 77200  | 77200      | 72500  | 69400   |         |        |
|  | 8' 2"   | 77200  | 70800      | 65500  | 61700   |         |        |
|  | 8' 5"   | 77200  | 70300      | 64800  | 61300   | 58000   |        |
|  | 9' 10"  |        | 65500      | 60000  | 55800   | 54000   |        |
|  | 10' 10" |        | 64200      | 56900  | 52700   | 50500   |        |
|  | 11' 6"  |        |            | 55100  | 51100   | 48700   | 34800  |
|  | 13' 1"  |        |            | 50700  | 46700   | 44500   | 31700  |
|  | 14' 7"  |        |            | 49200  | 43400   | 41400   | 29300  |
|  | 14' 9"  |        |            |        | 43000   | 40800   | 29100  |
|  | 16' 5"  |        |            |        | 39900   | 37700   | 26900  |
|  | 18' 1"  |        |            |        | 37000   | 35300   | 24900  |
|  | 19' 8"  |        |            |        | 34800   | 32800   | 23100  |
|  | 20' 8"  |        |            |        | 34200   | 31300   | 22000  |
|  | 21' 4"  |        |            |        |         | 30600   | 21600  |
|  | 22' 12" |        |            |        |         | 28400   | 20300  |
|  | 24' 7"  |        |            |        |         | 27100   | 19000  |
|  | 26' 3"  |        |            |        |         | 25600   | 17900  |
|  | 26' 10" |        |            |        |         | 25100   | 17400  |
|  | 27' 11" |        |            |        |         |         | 16800  |
|  | 29' 6"  |        |            |        |         |         | 15900  |
|  | 31' 2"  |        |            |        |         |         | 15000  |
|  | 32' 10" |        |            |        |         |         | 14100  |
|  | 33' 0"  |        |            |        |         |         | 14100  |

|  |         | 600mm  | SFILO 1000 | NZ     |         |         |        |
|--|---------|--------|------------|--------|---------|---------|--------|
|  | (lb)    |        |            |        |         |         |        |
|  |         | 18' 6" | 20' 12"    | 24' 8" | 30' 10" | 36' 12" | 43' 2" |
|  | 0' 0"   | 77200  | 77200      |        |         |         |        |
|  | 1' 8"   | 77200  | 77200      |        |         |         |        |
|  | 3' 3"   | 77200  | 77200      | 77200  |         |         |        |
|  | 4' 11"  | 77200  | 77200      | 70800  |         |         |        |
|  | 6' 7"   | 73200  | 65500      | 59300  | 56200   |         |        |
|  | 8' 2"   | 65900  | 56900      | 50700  | 47600   |         |        |
|  | 8' 5"   | 65900  | 55600      | 49800  | 46700   | 44500   |        |
|  | 9' 10"  |        | 50300      | 44800  | 41200   | 39200   |        |
|  | 10' 10" |        | 48700      | 41400  | 37900   | 36200   |        |
|  | 11' 6"  |        |            | 39700  | 36400   | 34400   | 33300  |
|  | 13' 1"  |        |            | 35700  | 32200   | 30400   | 29300  |
|  | 14' 7"  |        |            | 33700  | 29300   | 27600   | 26500  |
|  | 14' 9"  |        |            |        | 29100   | 27100   | 26000  |
|  | 16' 5"  |        |            |        | 26200   | 24500   | 23400  |
|  | 18' 1"  |        |            |        | 23600   | 22000   | 21200  |
|  | 19' 8"  |        |            |        | 21800   | 20100   | 19200  |
|  | 20' 8"  |        |            |        | 20900   | 19000   | 18100  |
|  | 21' 4"  |        |            |        |         | 18300   | 17400  |
|  | 22' 12" |        |            |        |         | 16500   | 15900  |
|  | 24' 7"  |        |            |        |         | 15200   | 14600  |
|  | 26' 3"  |        |            |        |         | 14100   | 13200  |
|  | 26' 10" |        |            |        |         | 13900   | 12800  |
|  | 27' 11" |        |            |        |         |         | 12100  |
|  | 29' 6"  |        |            |        |         |         | 11200  |
|  | 31' 2"  |        |            |        |         |         | 10400  |
|  | 32' 10" |        |            |        |         |         | 9500   |
|  | 33' 0"  |        |            |        |         |         | 9500   |

Articulated jib 77000lbs@6'-1"  
Hook/Winch  
Extended counterweight to 3'-3"  
Position DOWN  
4 counterweights

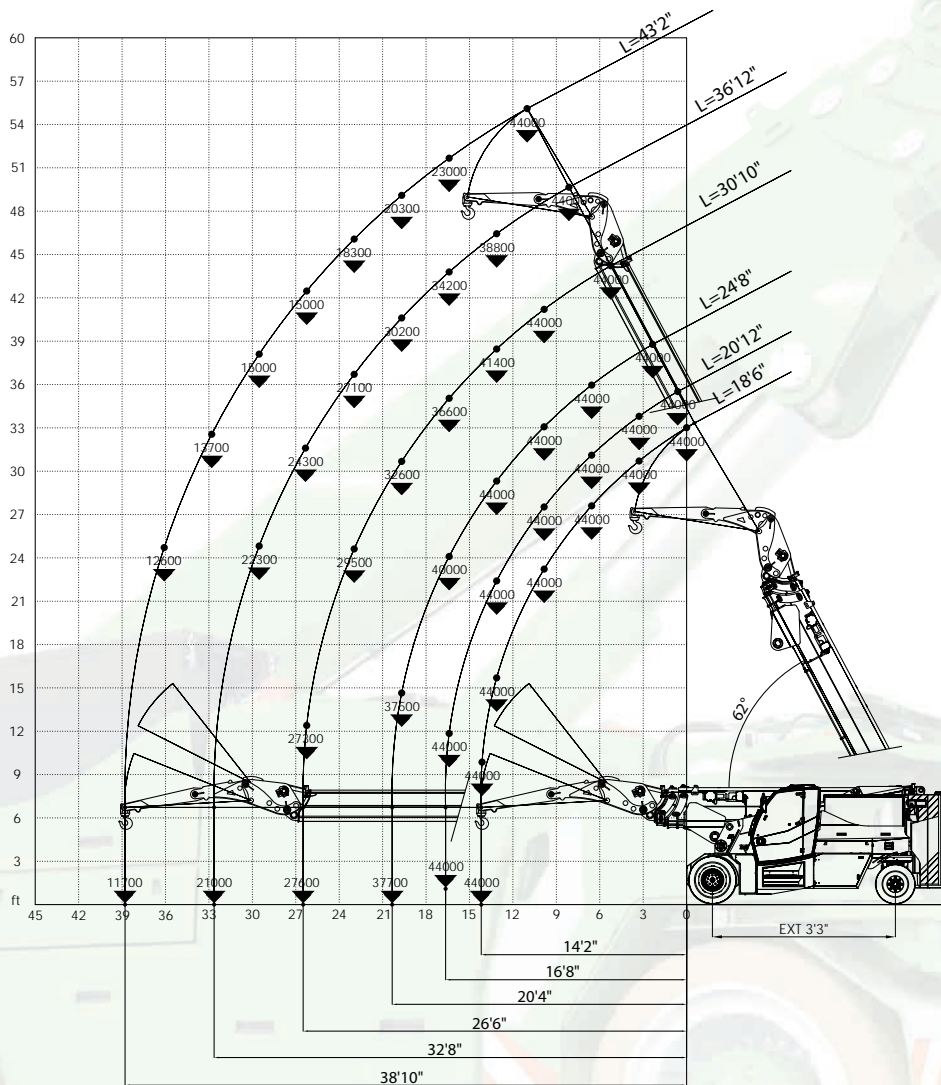
Articulated jib 77000lbs@6'-1"  
Hook/Winch  
Extended counterweight to 3'-3"  
Position DOWN  
Open stab. at 1'-12"

# Extension 44000lbs@4'-11" on articulated jib 77000lbs@6'-1"

|   |
|---|
| N. MAX ROPE  |
| 44000 lbs   |
| SINGLE ROPE  |
| 12100 lbs   |



Load charts



Extension 44000lbs@4'-11"

Articulated jib 77000lbs@6'-1"

Hook/Winch



Extended counterweight to 3'-3"

Position UP

4 counterweights

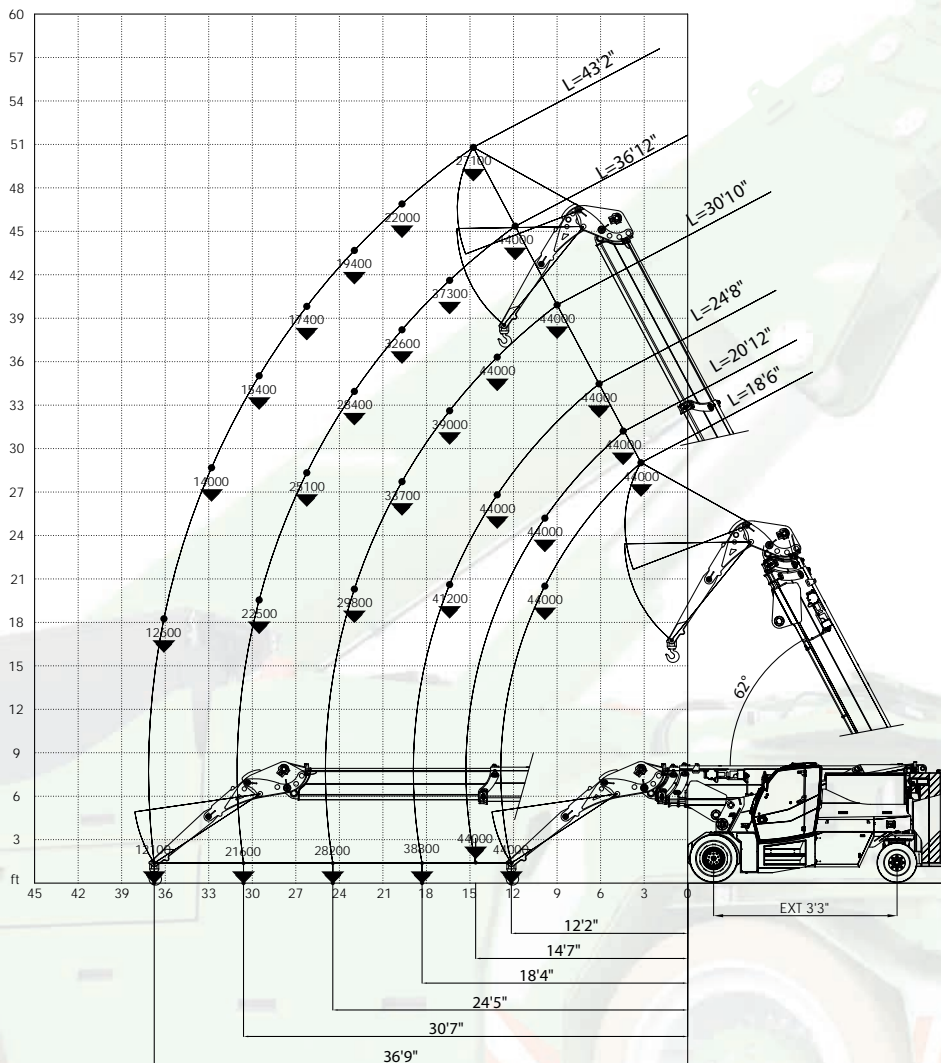
Maximum capacity  
Hook/Winch: **44000 lbs**

# Extension 44000lbs@4'-11" on articulated jib 77000lbs@6'-1"

|   |
|---|
| N. MAX ROPE  |
| 44000 lbs   |
| SINGLE ROPE  |
| 12100 lbs   |



Load charts



Extension 44000lbs@4'-11"

Articulated jib 77000lbs@6'-1"

Hook/Winch

Extended counterweight to 3'-3"

Position DOWN

4 counterweights

Maximum capacity  
Hook/Winch: **44000 lbs**

# Extension 44000lbs@4'-11" on articulated jib 77000lbs@6'-1"

Maximum capacity  
Hook/Winch: **44000 lbs**

|               |  |
|---------------|--|
| N. MAX ROPE ↘ |  |
| 44000 lbs     |  |
| SINGLE ROPE ↓ |  |
| 12100 lbs     |  |



Load charts

|         |       |        |         |        | Z1 Z2<br>Z3 Z4 |         |        |
|---------|-------|--------|---------|--------|----------------|---------|--------|
|         |       |        |         |        |                |         |        |
|         | (lb)  | 18' 6" | 20' 12" | 24' 8" | 30' 10"        | 36' 12" | 43' 2" |
| 0' 0"   | 44100 |        |         |        |                |         |        |
| 1' 8"   | 44100 |        |         |        |                |         |        |
| 3' 3"   | 44100 | 44100  |         |        |                |         |        |
| 4' 11"  | 44100 | 44100  | 44100   |        |                |         |        |
| 6' 7"   | 44100 | 44100  | 44100   |        |                |         |        |
| 8' 2"   | 44100 | 44100  | 44100   | 44100  |                |         |        |
| 9' 10"  | 44100 | 44100  | 44100   | 44100  | 44100          |         |        |
| 11' 6"  | 44100 | 44100  | 44100   | 44100  | 41700          |         |        |
| 13' 1"  | 44100 | 44100  | 44100   | 41400  | 38800          | 26200   |        |
| 14' 2"  | 44100 | 44100  | 43700   | 39700  | 37300          | 25100   |        |
| 14' 9"  |       | 44100  | 42500   | 38800  | 36400          | 24500   |        |
| 16' 5"  |       | 44100  | 40100   | 36600  | 34200          | 22900   |        |
| 16' 8"  |       | 44100  | 40100   | 36400  | 33700          | 22700   |        |
| 18' 1"  |       |        | 38400   | 34400  | 32200          | 21600   |        |
| 19' 8"  |       |        | 37500   | 32600  | 30200          | 20300   |        |
| 20' 4"  |       |        | 37700   | 32000  | 29500          | 19800   |        |
| 21' 4"  |       |        |         | 30900  | 28900          | 19200   |        |
| 22' 12" |       |        |         | 29500  | 27100          | 18300   |        |
| 24' 7"  |       |        |         | 28200  | 25800          | 17400   |        |
| 26' 3"  |       |        |         | 27300  | 24300          | 16500   |        |
| 26' 6"  |       |        |         | 27600  | 24300          | 16300   |        |
| 27' 11" |       |        |         |        | 23100          | 15700   |        |
| 29' 6"  |       |        |         |        | 22300          | 15000   |        |
| 31' 2"  |       |        |         |        | 21400          | 14100   |        |
| 32' 8"  |       |        |         |        | 20900          | 13700   |        |
| 32' 10" |       |        |         |        |                | 13700   |        |
| 34' 5"  |       |        |         |        |                | 13000   |        |
| 36' 1"  |       |        |         |        |                | 12600   |        |
| 37' 9"  |       |        |         |        |                | 11900   |        |
| 38' 9"  |       |        |         |        |                | 11700   |        |



|         |       |        |         |        | NZ      |         |        |
|---------|-------|--------|---------|--------|---------|---------|--------|
|         |       |        |         |        |         |         |        |
|         | (lb)  | 18' 6" | 20' 12" | 24' 8" | 30' 10" | 36' 12" | 43' 2" |
| 0' 0"   | 44100 |        |         |        |         |         |        |
| 1' 8"   | 44100 |        |         |        |         |         |        |
| 3' 3"   | 44100 | 44100  |         |        |         |         |        |
| 4' 11"  | 44100 | 44100  | 44100   |        |         |         |        |
| 6' 7"   | 44100 | 44100  | 44100   |        |         |         |        |
| 8' 2"   | 44100 | 44100  | 40600   | 37700  |         |         |        |
| 9' 10"  | 44100 | 41200  | 37000   | 34000  | 31500   |         |        |
| 11' 6"  | 41400 | 37500  | 34000   | 30600  | 28700   |         |        |
| 13' 1"  | 39700 | 34600  | 31300   | 28200  | 26000   | 24700   |        |
| 14' 2"  | 40100 | 33300  | 29500   | 26700  | 24500   | 23400   |        |
| 14' 9"  |       | 32800  | 28700   | 26000  | 23800   | 22500   |        |
| 16' 5"  |       | 31700  | 26700   | 24000  | 21800   | 20500   |        |
| 16' 8"  |       | 32200  | 26500   | 23600  | 21600   | 20300   |        |
| 18' 1"  |       |        | 25100   | 22000  | 20300   | 18700   |        |
| 19' 8"  |       |        | 24300   | 20500  | 18700   | 17400   |        |
| 20' 4"  |       |        | 24300   | 19800  | 18100   | 16800   |        |
| 21' 4"  |       |        |         | 19200  | 17200   | 16100   |        |
| 22' 12" |       |        |         | 17900  | 16100   | 15000   |        |
| 24' 7"  |       |        |         | 17000  | 15000   | 13900   |        |
| 26' 3"  |       |        |         | 16100  | 13900   | 12800   |        |
| 26' 6"  |       |        |         | 16300  | 13700   | 12800   |        |
| 27' 11" |       |        |         |        | 13000   | 11900   |        |
| 29' 6"  |       |        |         |        | 12100   | 11000   |        |
| 31' 2"  |       |        |         |        | 11500   | 10400   |        |
| 32' 8"  |       |        |         |        | 11000   | 9700    |        |
| 32' 10" |       |        |         |        |         | 9500    |        |
| 34' 5"  |       |        |         |        |         | 9000    |        |
| 36' 1"  |       |        |         |        |         | 8400    |        |
| 37' 9"  |       |        |         |        |         | 7900    |        |
| 38' 9"  |       |        |         |        |         | 7700    |        |

Extension 44000lbs@4'-11"  
Articulated jib 77000lbs@6'-1"  
Hook/Winch  
Extended counterweight to 3'-3"  
Position UP  
4 counterweights

Extension 44000lbs@4'-11"  
Articulated jib 77000lbs@6'-1"  
Hook/Winch  
Extended counterweight to 3'-3"  
Position UP  
Open stab. at 1'-12"






# Extension 44000lbs@4'-11" on articulated jib 77000lbs@6'-1"





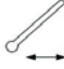
Maximum capacity  
Hook/Winch: **44000 lbs**

|               |   |
|---------------|---|
| N. MAX ROPE ↘ |  |
| 44000 lbs     |   |
| SINGLE ROPE ↘ |  |
| 12100 lbs     |   |



Load charts



|   |         |  |  |  | Z1 Z2<br>Z3 Z4 |         |        |
|---|---------|---|---|---|----------------|---------|--------|
|   |         |  |   |   |                |         |        |
|   | (lb)    | 18' 6"  | 20' 12"   | 24' 8"  | 30' 10"        | 36' 12" | 43' 2" |
|  | 0' 0"   |   |   |   |                |         |        |
|   | 1' 8"   |   |   |   |                |         |        |
|   | 3' 3"   |   |   |   |                |         |        |
|   | 4' 11"  | 44100   |   |   |                |         |        |
|   | 6' 7"   | 44100   | 44100   |   |                |         |        |
|   | 8' 2"   | 44100   | 44100   | 44100   |                |         |        |
|   | 9' 10"  | 44100   | 44100   | 44100   |                |         |        |
|   | 11' 6"  | 44100   | 44100   | 44100   | 44100          |         |        |
|   | 12' 2"  | 44100   | 44100   | 44100   | 44100          | 43900   |        |
|   | 13' 1"  |   | 44100   | 44100   | 44100          | 42500   |        |
|   | 14' 7"  |   | 44100   | 44100   | 42100          | 40300   |        |
|   | 14' 9"  |   | 44100   | 44100   | 41900          | 40100   | 27100  |
|   | 16' 5"  |   |   | 41200   | 39000          | 37300   | 25100  |
|   | 18' 1"  |   |   |   | 39000          | 36400   | 23400  |
|   | 18' 4"  |   |   |   | 38800          | 35900   | 23100  |
|   | 19' 8"  |   |   |   |                | 33700   | 22000  |
|   | 21' 4"  |   |   |   |                | 31700   | 20700  |
|   | 22' 12" |   |   |   |                | 29800   | 19400  |
|   | 24' 5"  |   |   |   |                | 28400   | 18500  |
|   | 24' 7"  |   |   |   |                | 28200   | 18300  |
|   | 26' 3"  |   |   |   |                |         | 25100  |
|   | 27' 11" |   |   |   |                |         | 23800  |
|   | 29' 6"  |   |   |   |                |         | 22500  |
|   | 30' 7"  |   |   |   |                |         | 21600  |
|   | 31' 2"  |   |   |   |                |         | 14600  |
|   | 32' 10" |   |   |   |                |         | 13900  |
|   | 34' 5"  |   |   |   |                |         | 13200  |
|   | 36' 1"  |   |   |   |                |         | 12600  |
|   | 36' 9"  |   |   |   |                |         | 12100  |

|   |         |   |  |  | NZ      |         |        |
|---|---------|---|---|---|---------|---------|--------|
|   |         |  |   |   |         |         |        |
|   | (lb)    | 18' 6"  | 20' 12"   | 24' 8"  | 30' 10" | 36' 12" | 43' 2" |
|  | 0' 0"   |   |   |   |         |         |        |
|   | 1' 8"   |   |   |   |         |         |        |
|   | 3' 3"   |   |   |   |         |         |        |
|   | 4' 11"  | 44100   |   |   |         |         |        |
|   | 6' 7"   | 44100   | 44100   |   |         |         |        |
|   | 8' 2"   | 44100   | 44100   | 44100   |         |         |        |
|   | 9' 10"  | 44100   | 44100   | 41200   |         |         |        |
|   | 11' 6"  | 42500   | 39700   | 37500   | 35300   |         |        |
|   | 12' 2"  | 41400   | 38100   | 35700   | 33700   | 32000   |        |
|   | 13' 1"  |   | 35900   | 33500   | 31500   | 30000   |        |
|   | 14' 7"  |   | 33700   | 30600   | 28900   | 27300   |        |
|   | 14' 9"  |   | 33500   | 30200   | 28700   | 27100   | 26200  |
|   | 16' 5"  |   |   | 27600   | 26000   | 24500   | 23600  |
|   | 18' 1"  |   |   |   | 25600   | 23600   | 22300  |
|   | 18' 4"  |   |   |   | 25400   | 23400   | 22000  |
|   | 19' 8"  |   |   |   |         | 21600   | 20500  |
|   | 21' 4"  |   |   |   |         | 19600   | 18700  |
|   | 22' 12" |   |   |   |         | 18100   | 17200  |
|   | 24' 5"  |   |   |   |         | 16800   | 15900  |
|   | 24' 7"  |   |   |   |         | 16800   | 15700  |
|   | 26' 3"  |   |   |   |         |         | 14300  |
|   | 27' 11" |   |   |   |         |         | 13200  |
|   | 29' 6"  |   |   |   |         |         | 12300  |
|   | 30' 7"  |   |   |   |         |         | 11500  |
|   | 31' 2"  |   |   |   |         |         | 10800  |
|   | 32' 10" |   |   |   |         |         | 9900   |
|   | 34' 5"  |   |   |   |         |         | 9000   |
|   | 36' 1"  |   |   |   |         |         | 8400   |
|   | 36' 9"  |   |   |   |         |         | 7900   |

Extension 44000lbs@4'-11"  
Articulated jib 77000lbs@6'-1"  
Hook/Winch  
Extended counterweight to 3'-3"  
Position DOWN  
4 counterweights

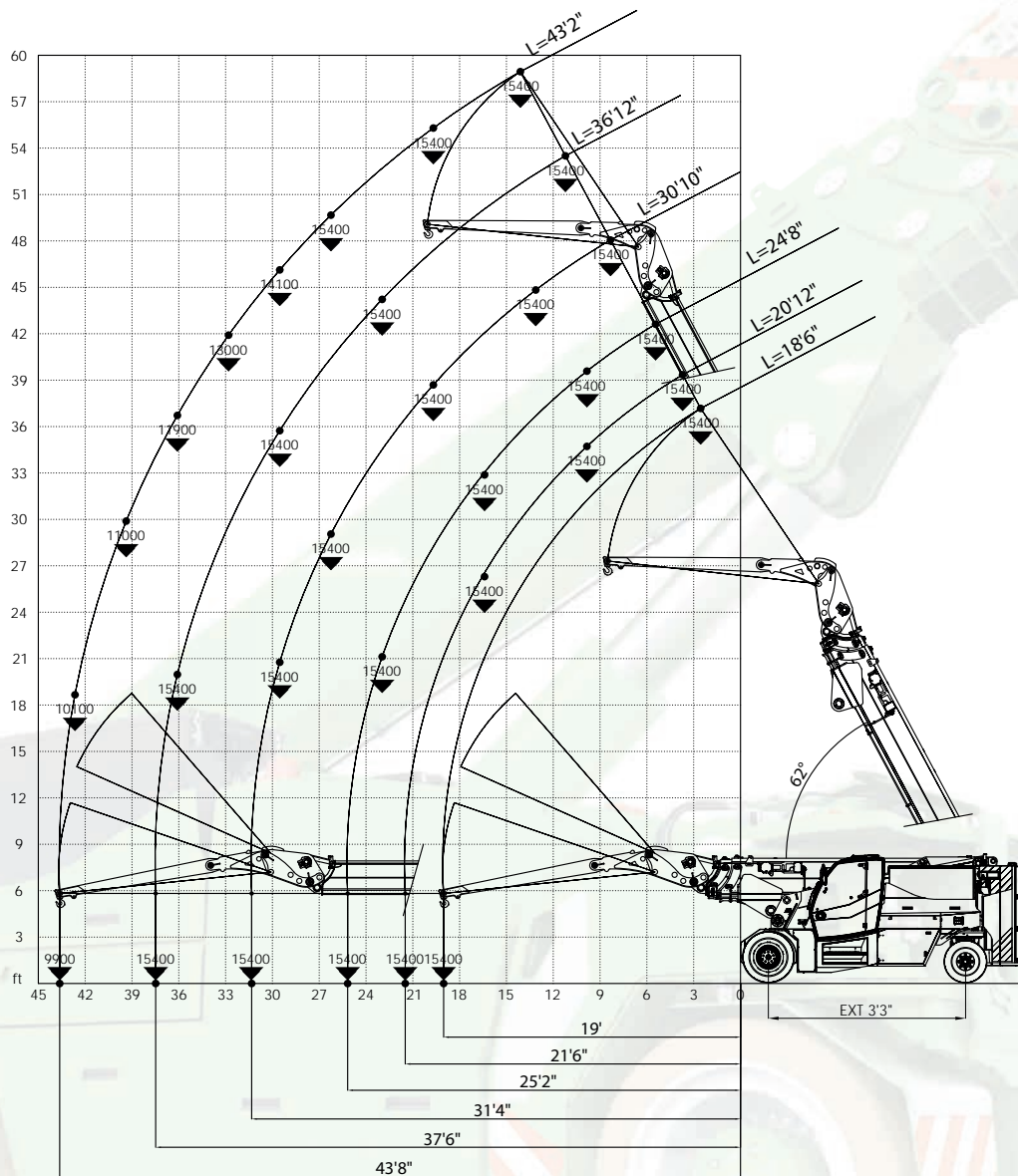
Extension 44000lbs@4'-11"  
Articulated jib 77000lbs@6'-1"  
Hook/Winch  
Extended counterweight to 3'-3"  
Position DOWN  
Open stab. at 1'-12"

# Extension 15400lbs@9'-10" on articulated jib 77000lbs@6'-1"

|               |   |
|---------------|---|
| N. MAX ROPE 2 |  |
| 15400 lbs     |   |
| SINGLE ROPE 1 |  |
| 12100 lbs     |   |



Load charts



Extension 15400lbs@9'-10"  
Articulated jib 77000lbs@6'-1"  
Hook/Winch  
Extended group to 3'-3"  
Position UP  
4 counterweights

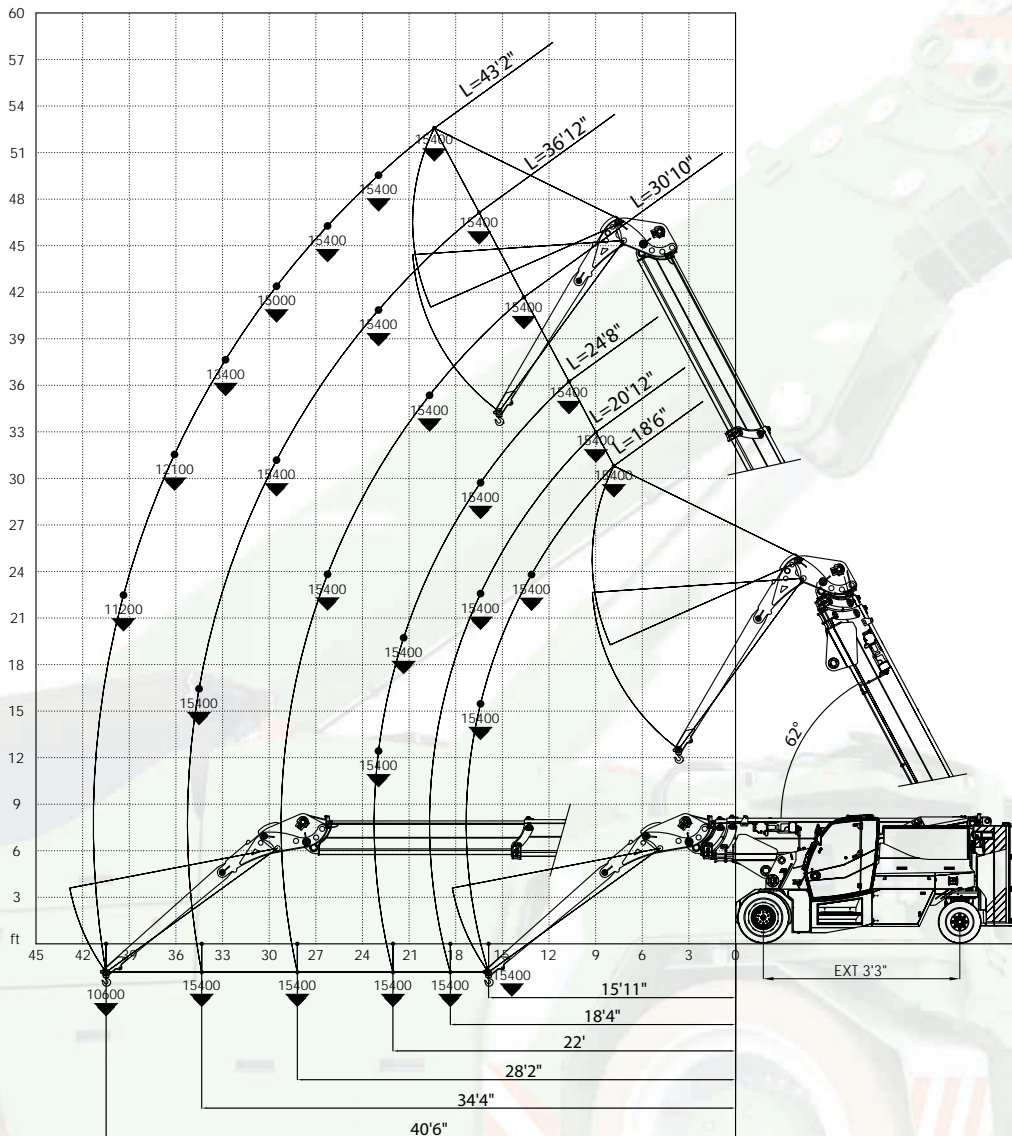
Maximum capacity  
Hook/Winch: **15400 lbs**

# Extension 15400lbs@9'-10" on articulated jib 77000lbs@6'-1"

|               |  |
|---------------|--|
| N. MAX ROPE 2 |  |
| 15400 lbs     |  |
| SINGLE ROPE 1 |  |
| 12100 lbs     |  |



Load charts



Extension 15400lbs@9'-10"  
Articulated jib 77000lbs@6'-1"  
Hook/Winch  
Extended group to 3'-3"  
Position DOWN  
4 counterweights

Maximum capacity  
Hook/Winch: **15400 lbs**

# Extension 15400lbs@9'-10" on articulated jib 77000lbs@6'-1"

Maximum capacity  
Hook/Winch: **15400 lbs**

|             |  |
|-------------|--|
| N. MAX ROPE |  |
| 15400 lbs   |  |
| SINGLE ROPE |  |
| 12100 lbs   |  |



Load charts

|  |         |        |         |        | Z1 Z2<br>Z3 Z4 |         |        |
|--|---------|--------|---------|--------|----------------|---------|--------|
|  |         |        |         |        |                |         |        |
|  | (lb)    | 18' 6" | 20' 12" | 24' 8" | 30' 10"        | 36' 12" | 43' 2" |
|  | 0' 0"   |        |         |        |                |         |        |
|  | 1' 8"   |        |         |        |                |         |        |
|  | 3' 3"   |        |         |        |                |         |        |
|  | 4' 11"  | 15400  |         |        |                |         |        |
|  | 6' 7"   | 15400  | 15400   |        |                |         |        |
|  | 8' 2"   | 15400  | 15400   | 15400  |                |         |        |
|  | 9' 10"  | 15400  | 15400   | 15400  |                |         |        |
|  | 11' 6"  | 15400  | 15400   | 15400  | 15400          |         |        |
|  | 13' 1"  | 15400  | 15400   | 15400  | 15400          | 15400   |        |
|  | 14' 9"  | 15400  | 15400   | 15400  | 15400          | 15400   |        |
|  | 16' 5"  | 15400  | 15400   | 15400  | 15400          | 15400   | 15400  |
|  | 18' 1"  | 15400  | 15400   | 15400  | 15400          | 15400   | 15400  |
|  | 19' 0"  | 15400  | 15400   | 15400  | 15400          | 15400   | 15400  |
|  | 19' 8"  |        | 15400   | 15400  | 15400          | 15400   | 15400  |
|  | 21' 6"  |        | 15400   | 15400  | 15400          | 15400   | 15400  |
|  | 22' 12" |        |         | 15400  | 15400          | 15400   | 15400  |
|  | 24' 7"  |        |         | 15400  | 15400          | 15400   | 15400  |
|  | 25' 2"  |        |         | 15400  | 15400          | 15400   | 15400  |
|  | 26' 3"  |        |         |        | 15400          | 15400   | 15400  |
|  | 27' 11" |        |         |        | 15400          | 15400   | 14800  |
|  | 29' 6"  |        |         |        | 15400          | 15400   | 14100  |
|  | 31' 4"  |        |         |        | 15400          | 15400   | 13400  |
|  | 32' 10" |        |         |        |                | 15400   | 13000  |
|  | 34' 5"  |        |         |        |                | 15400   | 12300  |
|  | 36' 1"  |        |         |        |                | 15400   | 11900  |
|  | 37' 6"  |        |         |        |                | 15400   | 11500  |
|  | 37' 9"  |        |         |        |                |         | 11500  |
|  | 39' 4"  |        |         |        |                |         | 11000  |
|  | 41' 0"  |        |         |        |                |         | 10800  |
|  | 42' 8"  |        |         |        |                |         | 10100  |
|  | 43' 8"  |        |         |        |                |         | 9900   |

|  |         |        |         |        | NZ      |         |        |
|--|---------|--------|---------|--------|---------|---------|--------|
|  |         |        |         |        |         |         |        |
|  | (lb)    | 18' 6" | 20' 12" | 24' 8" | 30' 10" | 36' 12" | 43' 2" |
|  | 0' 0"   |        |         |        |         |         |        |
|  | 1' 8"   |        |         |        |         |         |        |
|  | 3' 3"   |        |         |        |         |         |        |
|  | 4' 11"  | 15400  |         |        |         |         |        |
|  | 6' 7"   | 15400  | 15400   |        |         |         |        |
|  | 8' 2"   | 15400  | 15400   | 15400  |         |         |        |
|  | 9' 10"  | 15400  | 15400   | 15400  |         |         |        |
|  | 11' 6"  | 15400  | 15400   | 15400  | 15400   |         |        |
|  | 13' 1"  | 15400  | 15400   | 15400  | 15400   | 15400   |        |
|  | 14' 9"  | 15400  | 15400   | 15400  | 15400   | 15400   |        |
|  | 16' 5"  | 15400  | 15400   | 15400  | 15400   | 15400   | 15400  |
|  | 18' 1"  | 15400  | 15400   | 15400  | 15400   | 15400   | 15400  |
|  | 19' 0"  | 15400  | 15400   | 15400  | 15400   | 15400   | 15400  |
|  | 19' 8"  |        | 15400   | 15400  | 15400   | 15400   | 15400  |
|  | 21' 6"  |        | 15400   | 15400  | 15400   | 15400   | 15400  |
|  | 22' 12" |        |         | 15400  | 15400   | 15400   | 15400  |
|  | 24' 7"  |        |         | 15400  | 15400   | 15400   | 15400  |
|  | 25' 2"  |        |         | 15400  | 15400   | 15400   | 15400  |
|  | 26' 3"  |        |         |        | 15400   | 15400   | 15400  |
|  | 27' 11" |        |         |        | 15400   | 15400   | 14800  |
|  | 29' 6"  |        |         |        | 15400   | 15200   | 13400  |
|  | 31' 4"  |        |         |        | 15400   | 14300   | 12300  |
|  | 32' 10" |        |         |        |         | 13700   | 11900  |
|  | 34' 5"  |        |         |        |         | 13200   | 11200  |
|  | 36' 1"  |        |         |        |         | 11500   | 10400  |
|  | 37' 6"  |        |         |        |         | 11500   | 9900   |
|  | 37' 9"  |        |         |        |         |         | 9900   |
|  | 39' 4"  |        |         |        |         |         | 9300   |
|  | 41' 0"  |        |         |        |         |         | 8800   |
|  | 42' 8"  |        |         |        |         |         | 7700   |
|  | 43' 8"  |        |         |        |         |         | 7700   |

Extension 15400lbs@9'-10"  
Articulated jib 77000lbs@6'-1"  
Hook/Winch  
Extended counterweight to 3'-3"  
Position UP  
4 counterweights

Extension 15400lbs@9'-10"  
Articulated jib 77000lbs@6'-1"  
Hook/Winch  
Extended counterweight to 3'-3"  
Position UP  
Open stab. at 1'-12"

# Extension 15400lbs@9'-10" on articulated jib 77000lbs@6'-1"

Maximum capacity  
Hook/Winch: **15400 lbs**

|             |  |
|-------------|--|
| N. MAX ROPE |  |
| 15400 lbs   |  |
| SINGLE ROPE |  |
| 12100 lbs   |  |



Load charts

|  |         |        |         |        | Z1 Z2<br>Z3 Z4 |         |        |
|--|---------|--------|---------|--------|----------------|---------|--------|
|  |         |        |         |        |                |         |        |
|  | (lb)    | 18' 6" | 20' 12" | 24' 8" | 30' 10"        | 36' 12" | 43' 2" |
|  | 0' 0"   |        |         |        |                |         |        |
|  | 1' 8"   |        |         |        |                |         |        |
|  | 3' 3"   |        |         |        |                |         |        |
|  | 4' 11"  |        |         |        |                |         |        |
|  | 6' 7"   |        |         |        |                |         |        |
|  | 8' 2"   | 15400  |         |        |                |         |        |
|  | 9' 10"  | 15400  | 15400   |        |                |         |        |
|  | 11' 6"  | 15400  | 15400   | 15400  |                |         |        |
|  | 13' 1"  | 15400  | 15400   | 15400  |                |         |        |
|  | 14' 9"  | 15400  | 15400   | 15400  | 15400          |         |        |
|  | 15' 11" | 15400  | 15400   | 15400  | 15400          |         |        |
|  | 16' 5"  | 15400  | 15400   | 15400  | 15400          | 15400   |        |
|  | 18' 1"  |        | 15400   | 15400  | 15400          | 15400   |        |
|  | 18' 4"  |        | 15400   | 15400  | 15400          | 15400   |        |
|  | 19' 8"  |        | 15400   | 15400  | 15400          | 15400   |        |
|  | 21' 4"  |        |         | 15400  | 15400          | 15400   | 15400  |
|  | 22' 1"  |        |         | 15400  | 15400          | 15400   | 15400  |
|  | 22' 12" |        |         | 15400  | 15400          | 15400   | 15400  |
|  | 24' 7"  |        |         |        | 15400          | 15400   | 15400  |
|  | 26' 3"  |        |         |        | 15400          | 15400   | 15400  |
|  | 27' 11" |        |         |        | 15400          | 15400   | 15400  |
|  | 28' 2"  |        |         |        | 15400          | 15400   | 15400  |
|  | 29' 6"  |        |         |        |                | 15400   | 15000  |
|  | 31' 2"  |        |         |        |                | 15400   | 14100  |
|  | 32' 10" |        |         |        |                | 15400   | 13400  |
|  | 34' 4"  |        |         |        |                | 15400   | 12800  |
|  | 34' 5"  |        |         |        |                | 15400   | 12800  |
|  | 36' 1"  |        |         |        |                |         | 12100  |
|  | 37' 9"  |        |         |        |                |         | 11700  |
|  | 39' 4"  |        |         |        |                |         | 11200  |
|  | 40' 6"  |        |         |        |                |         | 10600  |

|  |         |        |         |        | NZ      |         |        |
|--|---------|--------|---------|--------|---------|---------|--------|
|  |         |        |         |        |         |         |        |
|  | (lb)    | 18' 6" | 20' 12" | 24' 8" | 30' 10" | 36' 12" | 43' 2" |
|  | 0' 0"   |        |         |        |         |         |        |
|  | 1' 8"   |        |         |        |         |         |        |
|  | 3' 3"   |        |         |        |         |         |        |
|  | 4' 11"  |        |         |        |         |         |        |
|  | 6' 7"   |        |         |        |         |         |        |
|  | 8' 2"   | 15400  |         |        |         |         |        |
|  | 9' 10"  | 15400  | 15400   |        |         |         |        |
|  | 11' 6"  | 15400  | 15400   | 15400  |         |         |        |
|  | 13' 1"  | 15400  | 15400   | 15400  |         |         |        |
|  | 14' 9"  | 15400  | 15400   | 15400  | 15400   |         |        |
|  | 15' 11" | 15400  | 15400   | 15400  | 15400   |         |        |
|  | 16' 5"  | 15400  | 15400   | 15400  | 15400   | 15400   |        |
|  | 18' 1"  |        | 15400   | 15400  | 15400   | 15400   |        |
|  | 18' 4"  |        | 15400   | 15400  | 15400   | 15400   |        |
|  | 19' 8"  |        | 15400   | 15400  | 15400   | 15400   |        |
|  | 21' 4"  |        |         | 15400  | 15400   | 15400   | 15400  |
|  | 22' 1"  |        |         | 15400  | 15400   | 15400   | 15400  |
|  | 22' 12" |        |         | 15400  | 15400   | 15400   | 15400  |
|  | 24' 7"  |        |         |        | 15400   | 15400   | 15400  |
|  | 26' 3"  |        |         |        | 15400   | 15400   | 15400  |
|  | 27' 11" |        |         |        | 15400   | 15400   | 15400  |
|  | 28' 2"  |        |         |        | 15400   | 15400   | 15400  |
|  | 29' 6"  |        |         |        |         | 15400   | 15000  |
|  | 31' 2"  |        |         |        |         | 15200   | 13900  |
|  | 32' 10" |        |         |        |         | 14300   | 12800  |
|  | 34' 4"  |        |         |        |         | 12100   | 11900  |
|  | 34' 5"  |        |         |        |         | 12100   | 11900  |
|  | 36' 1"  |        |         |        |         |         | 11000  |
|  | 37' 9"  |        |         |        |         |         | 10400  |
|  | 39' 4"  |        |         |        |         |         | 9500   |
|  | 40' 6"  |        |         |        |         |         | 8400   |

Extension 15400lbs@9'-10"  
Articulated jib 77000lbs@6'-1"  
Hook/Winch  
Extended counterweight to 3'-3"  
Position DOWN  
4 counterweights

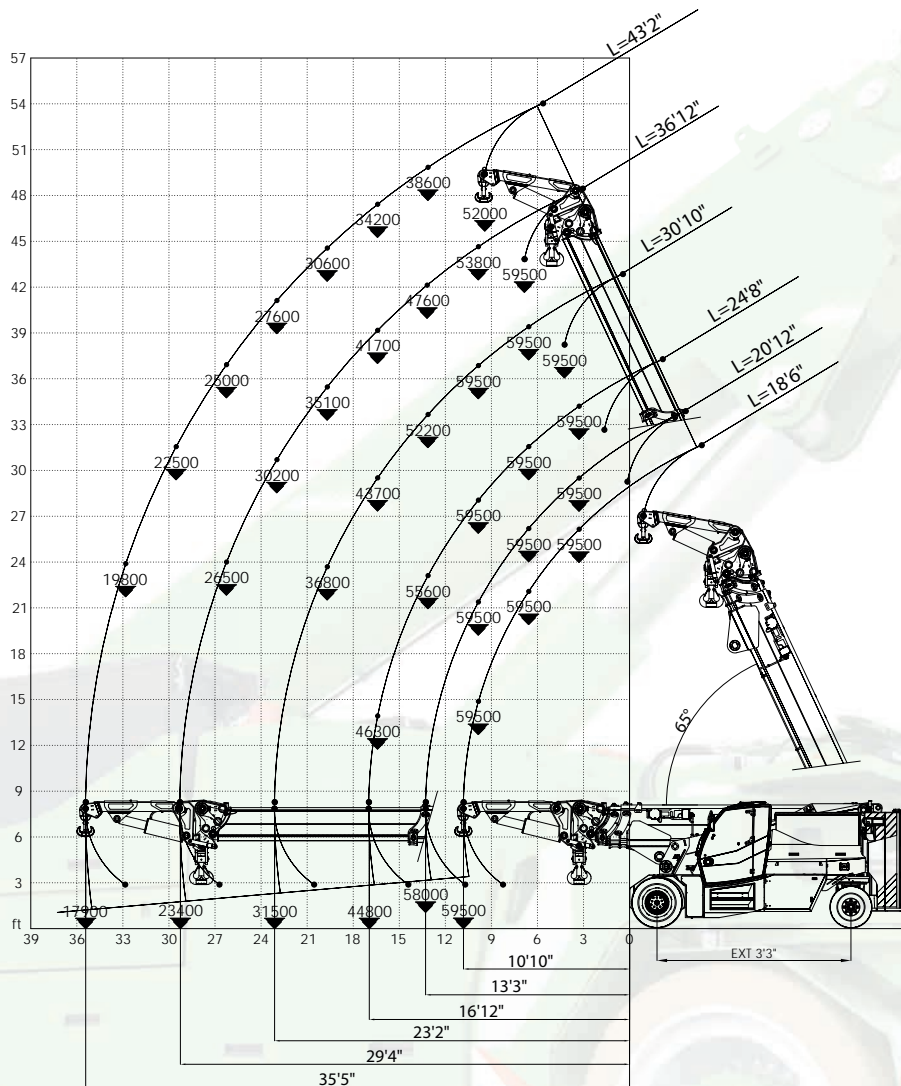
Extension 15400lbs@9'-10"  
Articulated jib 77000lbs@6'-1"  
Hook/Winch  
Extended counterweight to 3'-3"  
Position DOWN  
Open stab. at 1'-12"

# Hydraulic jib 59500lbs@4'-11"

|             |  |
|-------------|--|
| N. MAX ROPE |  |
| 59500 lbs   |  |
| SINGLE ROPE |  |
| 12100 lbs   |  |



Load charts



Hydraulic jib 59500lbs@4'-11"

Hook/Winch

Extended counterweight to 3'-3"

4 counterweights

Maximum capacity  
Hook/Winch: **59500 lbs**

# Hydraulic jib 5950lbs@4'-11"

Maximum capacity  
Hook/Winch: **5950 lbs**

|             |  |
|-------------|--|
| N. MAX ROPE |  |
| 59500 lbs   |  |
| SINGLE ROPE |  |
| 12100 lbs   |  |



Load charts



|         |       | 1000mm | 0mm     | Z1     | Z2      | Z3      | Z4     |
|---------|-------|--------|---------|--------|---------|---------|--------|
|         |       |        |         |        |         |         |        |
|         | (lb)  | 18' 6" | 20' 12" | 24' 8" | 30' 10" | 36' 12" | 43' 2" |
| 0' 0"   | 59500 | 59500  | 59500   | 59500  | 59500   |         |        |
| 1' 8"   | 59500 | 59500  | 59500   | 59500  | 59500   |         |        |
| 3' 3"   | 59500 | 59500  | 59500   | 59500  | 59500   |         |        |
| 4' 11"  | 59500 | 59500  | 59500   | 59500  | 59500   | 52000   |        |
| 6' 7"   | 59500 | 59500  | 59500   | 59500  | 59500   | 50700   |        |
| 8' 2"   | 59500 | 59500  | 59500   | 59500  | 56900   | 47200   |        |
| 9' 10"  | 59500 | 59500  | 59500   | 59500  | 53800   | 43900   |        |
| 10' 10" | 59500 | 59500  | 59500   | 59500  | 51800   | 42300   |        |
| 11' 6"  |       | 59500  | 59500   | 57500  | 50700   | 41200   |        |
| 13' 1"  |       | 58400  | 55600   | 52200  | 47600   | 38600   |        |
| 13' 3"  |       | 58000  | 55100   | 51600  | 47400   | 38400   |        |
| 14' 9"  |       |        | 50500   | 47400  | 45200   | 36400   |        |
| 16' 5"  |       |        |         | 46300  | 43700   | 34200   |        |
| 16' 12" |       |        |         | 44800  | 42100   | 33500   |        |
| 18' 1"  |       |        |         |        | 39900   | 32400   |        |
| 19' 8"  |       |        |         |        | 36800   | 30600   |        |
| 21' 4"  |       |        |         |        | 34200   | 29100   |        |
| 22' 12" |       |        |         |        | 31700   | 27600   |        |
| 23' 2"  |       |        |         |        | 31500   | 27300   |        |
| 24' 7"  |       |        |         |        |         | 28200   | 26200  |
| 26' 3"  |       |        |         |        |         | 26500   | 24900  |
| 27' 11" |       |        |         |        |         | 24700   | 23800  |
| 29' 3"  |       |        |         |        |         | 23400   | 22700  |
| 29' 6"  |       |        |         |        |         |         | 22500  |
| 31' 2"  |       |        |         |        |         |         | 21200  |
| 32' 10" |       |        |         |        |         |         | 19800  |
| 34' 5"  |       |        |         |        |         |         | 18700  |
| 35' 5"  |       |        |         |        |         |         | 17900  |

|         |       | 1000mm | 600mm   | NZ     |         |         |        |
|---------|-------|--------|---------|--------|---------|---------|--------|
|         |       |        |         |        |         |         |        |
|         | (lb)  | 18' 6" | 20' 12" | 24' 8" | 30' 10" | 36' 12" | 43' 2" |
| 0' 0"   | 59500 | 59500  | 59500   | 59500  | 59500   |         |        |
| 1' 8"   | 59500 | 59500  | 59500   | 59500  | 59500   |         |        |
| 3' 3"   | 59500 | 59500  | 59500   | 59500  | 59500   | 59500   |        |
| 4' 11"  | 59500 | 59500  | 59500   | 59500  | 59500   | 59500   | 52000  |
| 6' 7"   | 59500 | 59500  | 59500   | 59500  | 59500   | 59500   | 50700  |
| 8' 2"   | 59500 | 59500  | 59500   | 59500  | 59300   | 55300   | 47200  |
| 9' 10"  | 59500 | 58400  | 53800   | 50000  | 47000   | 43900   |        |
| 10' 10" | 56400 | 52700  | 49200   | 45400  | 42800   | 40600   |        |
| 11' 6"  |       | 50000  | 45900   | 43000  | 40100   | 38100   |        |
| 13' 1"  |       | 43200  | 39900   | 37000  | 34800   | 33300   |        |
| 13' 3"  |       | 42300  | 39500   | 36800  | 34600   | 32800   |        |
| 14' 9"  |       |        |         | 35300  | 32800   | 30900   | 29300  |
| 16' 5"  |       |        |         | 31300  | 29100   | 27300   | 26000  |
| 16' 12" |       |        |         | 30200  | 27800   | 26200   | 25100  |
| 18' 1"  |       |        |         |        | 25800   | 24300   | 23100  |
| 19' 8"  |       |        |         |        | 23100   | 21800   | 20900  |
| 21' 4"  |       |        |         |        | 20900   | 19800   | 18700  |
| 22' 12" |       |        |         |        | 19200   | 17900   | 17000  |
| 23' 2"  |       |        |         |        | 19000   | 17900   | 17000  |
| 24' 7"  |       |        |         |        |         | 16300   | 15400  |
| 26' 3"  |       |        |         |        |         | 14800   | 14100  |
| 27' 11" |       |        |         |        |         | 13700   | 12800  |
| 29' 3"  |       |        |         |        |         | 12600   | 11900  |
| 29' 6"  |       |        |         |        |         |         | 11700  |
| 31' 2"  |       |        |         |        |         |         | 10800  |
| 32' 10" |       |        |         |        |         |         | 9900   |
| 34' 5"  |       |        |         |        |         |         | 9000   |
| 35' 5"  |       |        |         |        |         |         | 8600   |

Hydraulic jib 59500lbs@4'-11"  
Hook/Winch  
Extended counterweight to 3'-3"  
4 counterweights

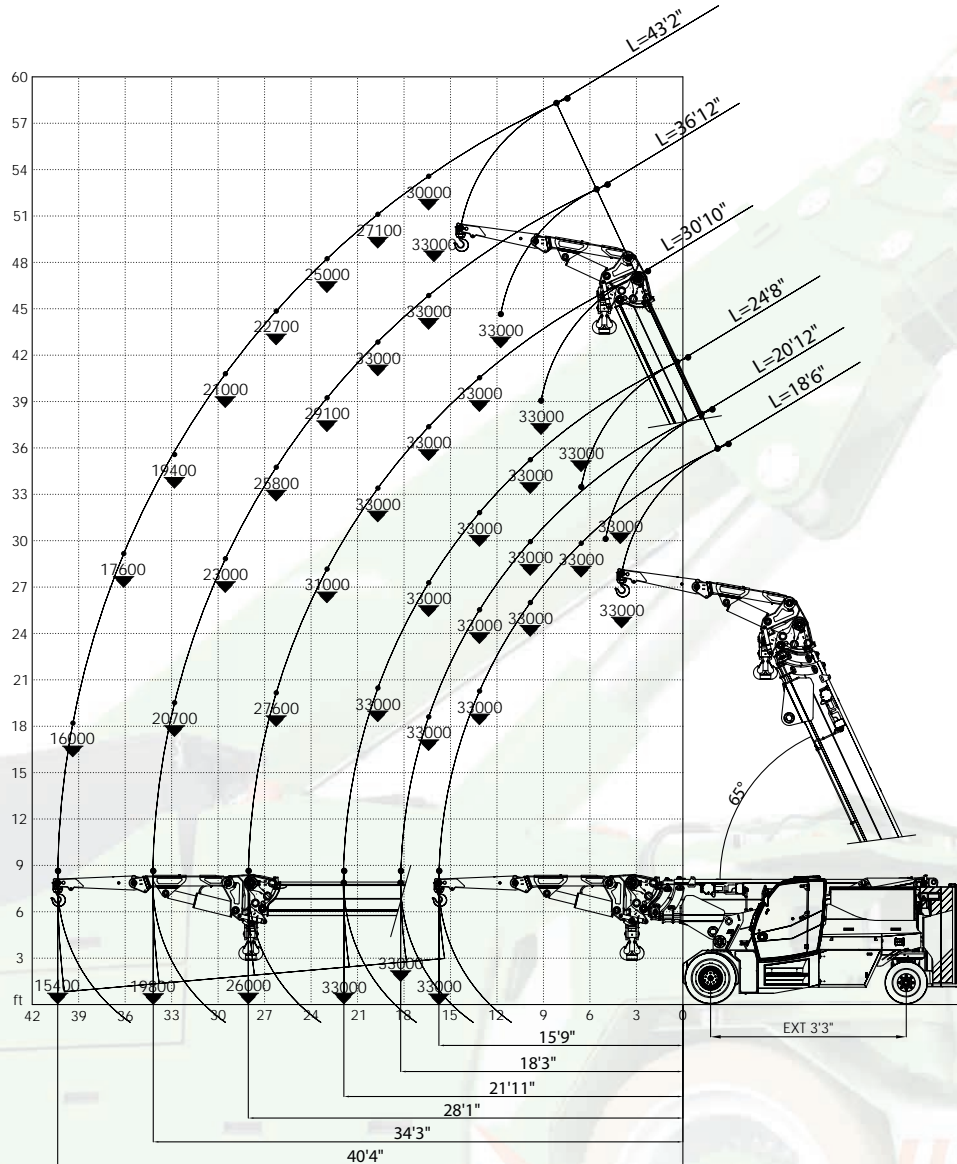
Hydraulic jib 59500lbs@4'-11"  
Hook/Winch  
Extended counterweight to 3'-3"  
Open stab. at 1'-12"

# Extension 33000lbs@4'-11" on hydraulic jib 59500lbs@4'-11"

|             |   |
|-------------|---|
| N. MAX ROPE |  |
| 33000 lbs   |   |
| SINGLE ROPE |  |
| 12100 lbs   |   |



Load charts



Extension 33000lbs@4'-11"

Hydraulic jib 59500lbs@4'-11"

Hook/Winch



Extended counterweight to 3'-3"

4 counterweights

Maximum capacity  
Hook/Winch: **33000 lbs**






# Extension 33000lbs@4'-11" on hydraulic jib 59500lbs@4'-11"






Maximum capacity  
Hook/Winch: **33000 lbs**

|               |   |
|---------------|---|
| N. MAX ROPE ↙ |  |
| 33000 lbs     |   |
| SINGLE ROPE ↘ |  |
| 12100 lbs     |   |



Load charts

|         |       |  |         |  |         |  |        |  |  |  |  |
|---------|-------|---|---------|---|---------|---|--------|---|--|---|--|
|         |       | 1000mm  |         | 0mm   |         | Z1 Z2   |        | Z3 Z4   |  |   |  |
|         | (lb)  | 18' 6"  | 20' 12" | 24' 8"  | 30' 10" | 36' 12"   | 43' 2" |   |  |   |  |
| 0' 0"   | 33100 | 33100   | 33100   | 33100   | 33100   |   |        |   |  |   |  |
| 3' 3"   | 33100 | 33100   | 33100   | 33100   | 33100   |   |        |   |  |   |  |
| 6' 7"   | 33100 | 33100   | 33100   | 33100   | 33100   | 33100   | 33100  |   |  |   |  |
| 9' 10"  | 33100 | 33100   | 33100   | 33100   | 33100   | 33100   | 33100  |   |  |   |  |
| 13' 1"  | 33100 | 33100   | 33100   | 33100   | 33100   | 33100   | 33100  | 33100   |  |   |  |
| 15' 9"  | 33100 | 33100   | 33100   | 33100   | 33100   | 33100   | 33100  | 30400   |  |   |  |
| 16' 5"  |       | 33100   | 33100   | 33100   | 33100   | 33100   | 30000  |   |  |   |  |
| 18' 3"  |       | 33100   | 33100   | 33100   | 33100   | 28400   |        |   |  |   |  |
| 19' 8"  |       |   |         | 33100   | 33100   | 27100   |        |   |  |   |  |
| 21' 11" |       |   |         | 33100   | 32200   | 30400   | 25600  |   |  |   |  |
| 22' 12" |       |   |         |   | 30900   | 29100   | 24900  |   |  |   |  |
| 26' 3"  |       |   |         |   | 27600   | 25800   | 22700  |   |  |   |  |
| 28' 1"  |       |   |         |   | 26000   | 24000   | 21800  |   |  |   |  |
| 29' 6"  |       |   |         |   |         | 22900   | 20900  |   |  |   |  |
| 32' 10" |       |   |         |   |         | 20700   | 19400  |   |  |   |  |
| 34' 3"  |       |   |         |   |         | 19800   | 18700  |   |  |   |  |
| 36' 1"  |       |   |         |   |         |   | 17600  |   |  |   |  |
| 39' 4"  |       |   |         |   |         |   | 15900  |   |  |   |  |
| 40' 4"  |       |   |         |   |         |   | 15400  |   |  |   |  |

|         |       |  |         |  |         |  |        |  |  |  |  |
|---------|-------|--|---------|---|---------|---|--------|---|--|---|--|
|         |       | 1000mm   |         | 600mm   |         | NZ  |        |   |  |   |  |
|         | (lb)  | 18' 6"   | 20' 12" | 24' 8"  | 30' 10" | 36' 12"   | 43' 2" |   |  |   |  |
| 0' 0"   | 33100 | 33100  | 33100   | 33100   | 33100   |   |        |   |  |   |  |
| 3' 3"   | 33100 | 33100  | 33100   | 33100   | 33100   | 33100   |        |   |  |   |  |
| 6' 7"   | 33100 | 33100  | 33100   | 33100   | 33100   | 33100   | 33100  |   |  |   |  |
| 9' 10"  | 33100 | 33100  | 33100   | 33100   | 33100   | 33100   | 33100  |   |  |   |  |
| 13' 1"  | 33100 | 33100  | 33100   | 33100   | 32800   | 30400   | 28900  |   |  |   |  |
| 15' 9"  | 33100 | 33100  | 30600   | 28000   | 26000   | 24500   |        |   |  |   |  |
| 16' 5"  |       | 32200  | 29500   | 26900   | 24900   | 23400   |        |   |  |   |  |
| 18' 3"  |       | 29300  | 26700   | 24300   | 22500   | 20900   |        |   |  |   |  |
| 19' 8"  |       |  | 24700   | 22500   | 20700   | 19400   |        |   |  |   |  |
| 21' 11" |       |  |         | 22000   | 20100   | 18500   | 17200  |   |  |   |  |
| 22' 12" |       |  |         |   | 19000   | 17400   | 16300  |   |  |   |  |
| 26' 3"  |       |  |         |   | 16300   | 14800   | 13900  |   |  |   |  |
| 28' 1"  |       |  |         |   | 15000   | 13700   | 12600  |   |  |   |  |
| 29' 6"  |       |  |         |   |         | 12600   | 11700  |   |  |   |  |
| 32' 10" |       |  |         |   |         | 10800   | 10100  |   |  |   |  |
| 34' 3"  |       |  |         |   |         | 10100   | 9300   |   |  |   |  |
| 36' 1"  |       |  |         |   |         |   | 8600   |   |  |   |  |
| 39' 4"  |       |  |         |   |         |   | 7300   |   |  |   |  |
| 40' 4"  |       |  |         |   |         |   | 7100   |   |  |   |  |

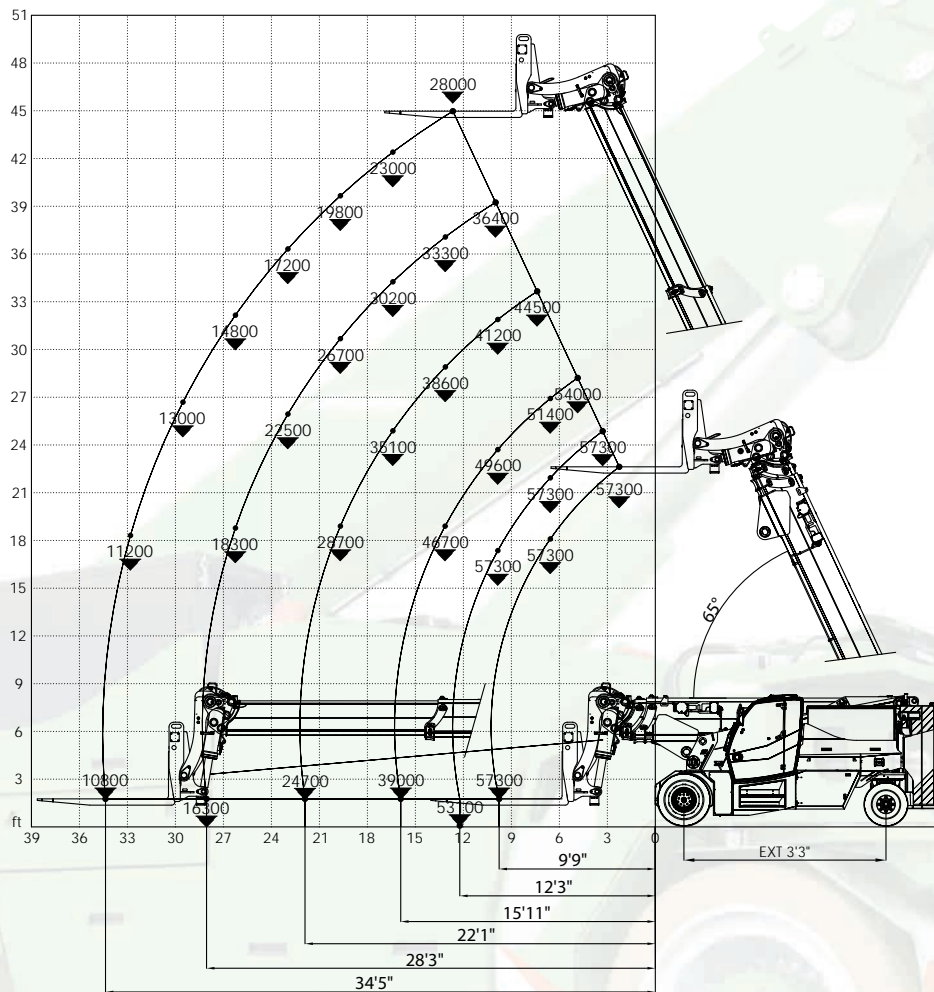
Extension 33000lbs@4'-11"  
Hydraulic jib 59500lbs@4'-11"  
Hook/Winch  
Extended counterweight to 3'-3"  
4 counterweights

Extension 33000lbs@4'-11"  
Hydraulic jib 59500lbs@4'-11"  
Hook/Winch  
Extended counterweight to 3'-3"  
Open stab. at 1'-12"

# Forks 57300lbs@3'-11"



Load charts



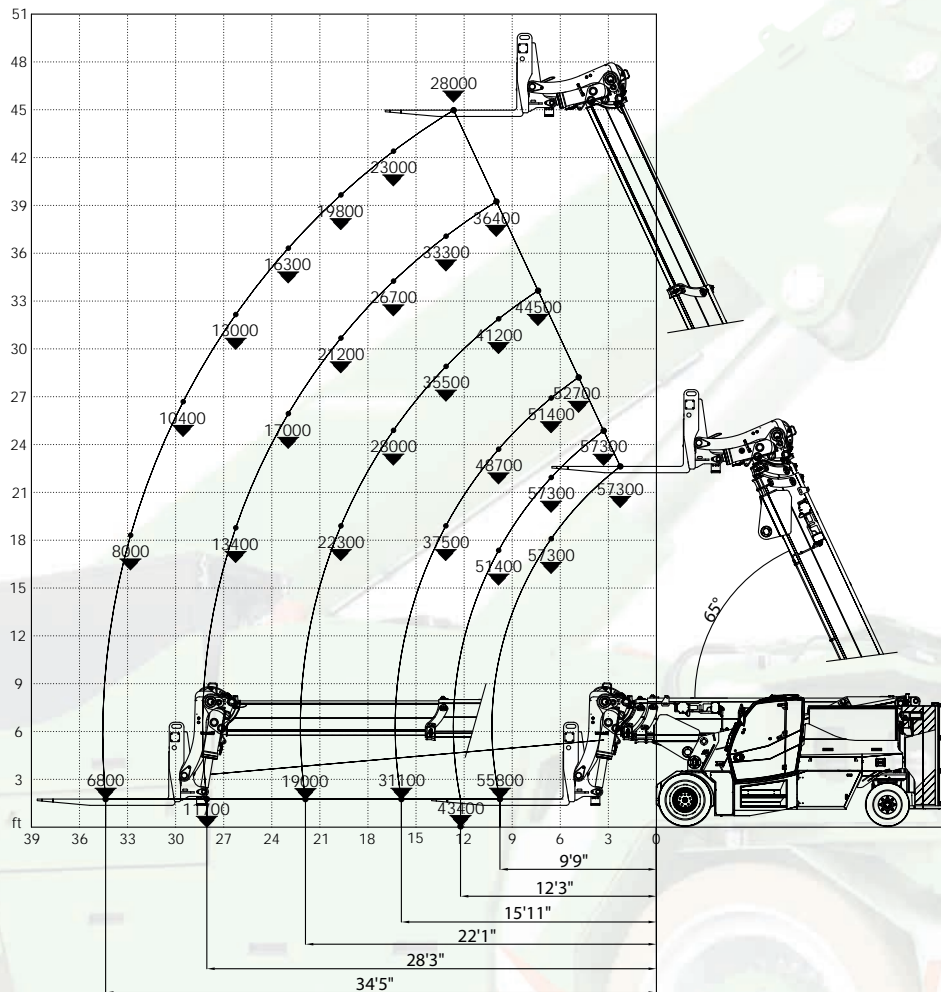
Forks 57300lbs@3'-11"  
 Extended counterweight to 3'-3"  
 4 counterweights

Maximum capacity  
**57300 lbs**

# Forks 57300lbs@3'-11"



Load charts



Forks 57300lbs@3'-11"  
 Retracted counterweight  
 4 counterweights

Maximum capacity  
**57300 lbs**

# Forks 57300lbs@3'-11"

Maximum capacity  
57300 lbs



Load charts

|  |         | 1000mm |         | 0mm    |         | Z1 Z2   | Z3 Z4  |
|--|---------|--------|---------|--------|---------|---------|--------|
|  |         |        |         |        |         |         |        |
|  | (lb)    | 18' 6" | 20' 12" | 24' 8" | 30' 10" | 36' 12" | 43' 2" |
|  | 0' 0"   | 57300  | 57300   |        |         |         |        |
|  | 1' 8"   | 57300  | 57300   | 55300  |         |         |        |
|  | 3' 3"   | 57300  | 57300   | 54000  | 46500   |         |        |
|  | 4' 11"  | 57300  | 57300   | 52700  | 46300   |         |        |
|  | 6' 7"   | 57300  | 57300   | 51400  | 44500   | 39200   |        |
|  | 8' 2"   | 57300  | 57300   | 50300  | 42800   | 38100   |        |
|  | 9' 9"   | 57300  | 57300   | 49600  | 41400   | 36400   | 31500  |
|  | 9' 10"  |        | 57300   | 49600  | 41200   | 36400   | 31500  |
|  | 11' 6"  |        | 55300   | 48900  | 39900   | 34800   | 29100  |
|  | 12' 3"  |        | 53100   | 48700  | 39200   | 34000   | 28000  |
|  | 13' 1"  |        |         | 46700  | 38600   | 33300   | 26900  |
|  | 14' 9"  |        |         | 41700  | 37500   | 32000   | 24900  |
|  | 15' 11" |        |         | 39000  | 36400   | 30600   | 23600  |
|  | 16' 5"  |        |         |        | 35100   | 30200   | 22900  |
|  | 18' 1"  |        |         |        | 31500   | 28200   | 21400  |
|  | 19' 8"  |        |         |        | 28700   | 26700   | 19800  |
|  | 21' 4"  |        |         |        | 25800   | 24700   | 18500  |
|  | 22' 1"  |        |         |        | 24700   | 23600   | 17900  |
|  | 22' 12" |        |         |        |         | 22500   | 17200  |
|  | 24' 7"  |        |         |        |         | 20300   | 15900  |
|  | 26' 3"  |        |         |        |         | 18300   | 14800  |
|  | 27' 11" |        |         |        |         | 16800   | 13900  |
|  | 28' 3"  |        |         |        |         | 16300   | 13700  |
|  | 29' 6"  |        |         |        |         |         | 13000  |
|  | 31' 2"  |        |         |        |         |         | 12100  |
|  | 32' 10" |        |         |        |         |         | 11200  |
|  | 34' 5"  |        |         |        |         |         | 10800  |

|  |         | 1000mm |         | 600mm  |         | Z1 Z2   | Z3 Z4  |
|--|---------|--------|---------|--------|---------|---------|--------|
|  |         |        |         |        |         |         |        |
|  | (lb)    | 18' 6" | 20' 12" | 24' 8" | 30' 10" | 36' 12" | 43' 2" |
|  | 0' 0"   | 57300  | 57300   |        |         |         |        |
|  | 1' 8"   | 57300  | 57300   | 55300  |         |         |        |
|  | 3' 3"   | 57300  | 57300   | 54000  | 46500   |         |        |
|  | 4' 11"  | 57300  | 57300   | 52700  | 46300   |         |        |
|  | 6' 7"   | 57300  | 57300   | 51400  | 44500   | 39200   |        |
|  | 8' 2"   | 57300  | 57300   | 50300  | 42800   | 38100   |        |
|  | 9' 9"   | 57300  | 57300   | 49600  | 41400   | 36400   | 31500  |
|  | 9' 10"  |        | 57300   | 49600  | 41200   | 36400   | 31500  |
|  | 11' 6"  |        | 57300   | 48900  | 39900   | 34800   | 29100  |
|  | 12' 3"  |        | 57300   | 48700  | 39200   | 34000   | 28000  |
|  | 13' 1"  |        |         | 48700  | 38600   | 33300   | 26900  |
|  | 14' 9"  |        |         | 48700  | 37500   | 32000   | 24900  |
|  | 15' 11" |        |         | 48700  | 36800   | 30600   | 23600  |
|  | 16' 5"  |        |         |        | 36600   | 30200   | 22900  |
|  | 18' 1"  |        |         |        | 35300   | 28200   | 21400  |
|  | 19' 8"  |        |         |        | 33500   | 26700   | 19800  |
|  | 21' 4"  |        |         |        | 32200   | 25100   | 18500  |
|  | 22' 1"  |        |         |        | 32200   | 24500   | 17900  |
|  | 22' 12" |        |         |        |         | 23600   | 17200  |
|  | 24' 7"  |        |         |        |         | 22300   | 15900  |
|  | 26' 3"  |        |         |        |         | 20900   | 14800  |
|  | 27' 11" |        |         |        |         | 19800   | 13900  |
|  | 28' 3"  |        |         |        |         | 19800   | 13700  |
|  | 29' 6"  |        |         |        |         |         | 13000  |
|  | 31' 2"  |        |         |        |         |         | 12100  |
|  | 32' 10" |        |         |        |         |         | 11200  |
|  | 34' 5"  |        |         |        |         |         | 10800  |

Forks 57300lbs@3'-11"

Extended counterweight to 3'-3"  
4 counterweights

Forks 57300lbs@3'-11"

Extended counterweight to 3'-3"  
2 counterweights + open stab. at 1'-12"