

Data subject to change without prior notice
Edition 02/2026 © 2026 JMG Cranes S.p.A. All rights reserved
Rev. 00



Electric pick & carry cranes

MC95000RE

(metric)

Maximum capacity
95 tm

EU standards CE

UNI ISO 4301-1: A1
2006/42 CE-2014/30 UE-2014/35 UE
2000/14 CE and subsequent amendments.
UNI EN 12999:2025
and subsequent amendments.



JMG Cranes S.p.A.

Offices and plant: Via dell'Innovazione, 3 - 29010 Sarmato (PC) - Italy

Registered Office: Via Dante, 15 - 26100 Cremona - Italy

Administration: Via Bergamo, 142 - 26100 Cremona - Italy

+39 0523 8486

info@jmgcranes.com

www.jmgcranes.com





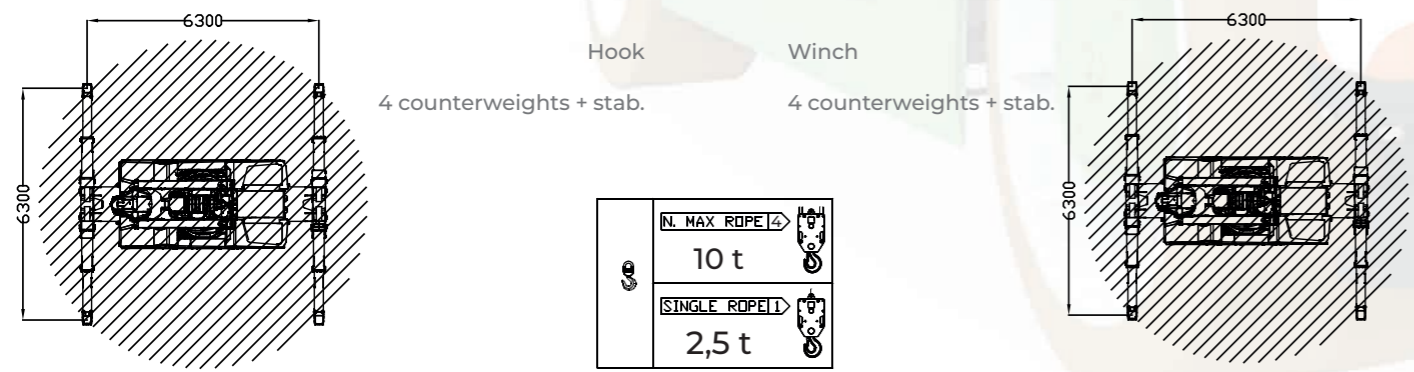
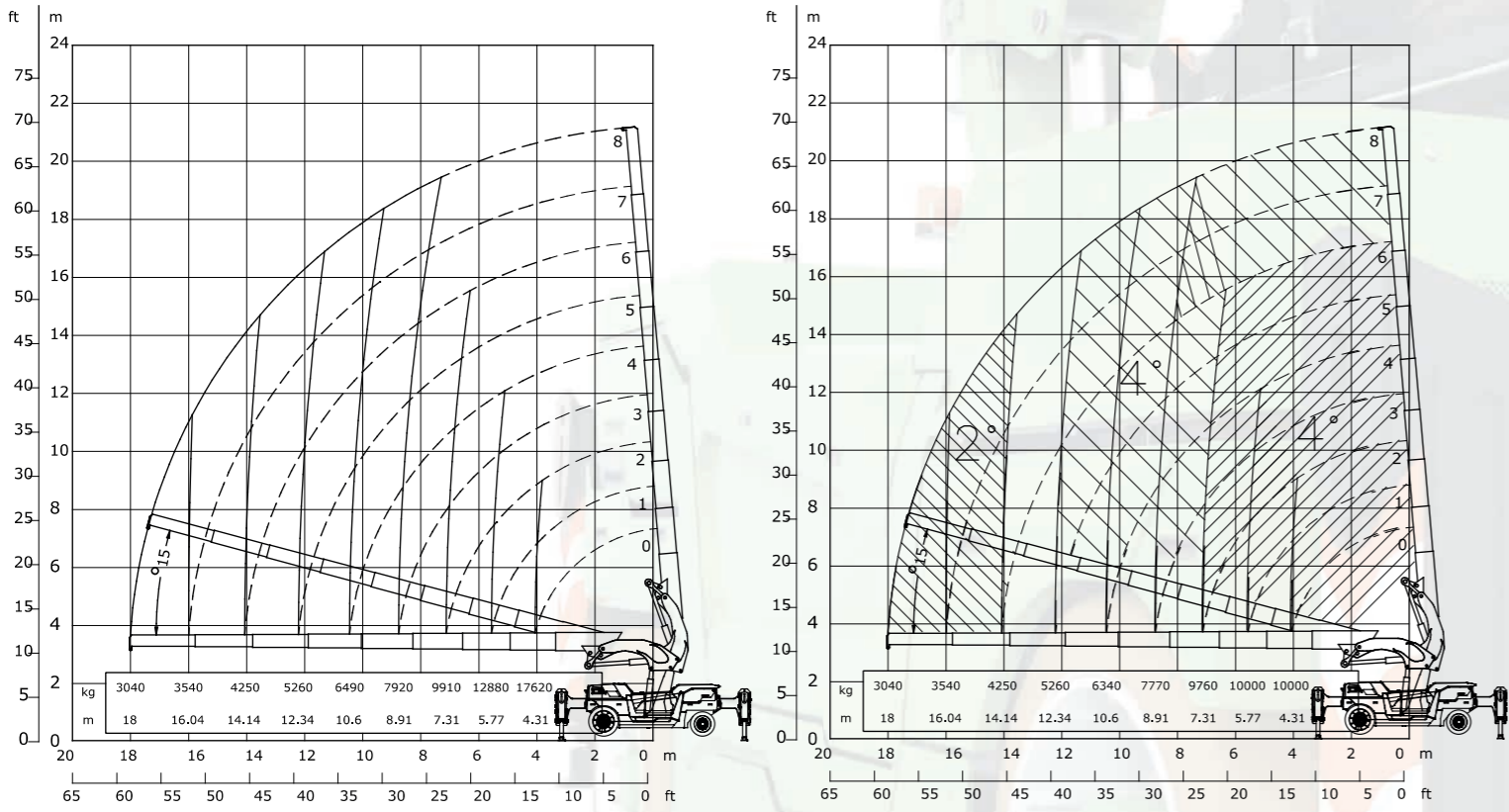
Features

- Radio-controlled battery-powered electric crane
- 8-sequential extensions articulated boom
- Front wheels drive with counter-rotation
- Hydraulic rotation of the boom on a slewing turret **360° continuous and unlimited**
- 4 independent horizontal/vertical extendable stabilizers
- 4 removable counterweights

Optional

- Hydraulic winch
- Tilttable hydraulic jib with 6 sequential hydraulic extensions
- Men basket
- Customer paint colour

Load charts



Technical features

Maximum capacity	95tm
Dimensions mm	5.541x2.404x2.998

- Front wheels drive nr.2 electric motors 16kW AC
- Total with counterweights kg 29.200 * nr.4 removable counterweights kg 4.800 (kg 1.450x2 + kg 950x2)
- Lithium LFP 96V 1.120 Ah
- nr.2 front cushion 40x20x30" nr.2 rear cushion 33x14x22"
- Hydraulic rear steering -70°/+70° on rear axle
- Electronic system Moment limiter (L.M.I.)
- Automatic braking system
- Fabricated from preformed and welded quality steel plate
- Inclination angle +85°/-45° Rotation time 90s
- Electric motor 45kW 96V AC

* The weight is to be considered with the winch and rope installed.

Overall dimensions

