

Data subject to change without prior notice  
Edition 02/2026 © 2026 JMG Cranes S.p.A. All rights reserved  
Rev. 00



# Electric pick & carry cranes

**MC180S**  
(imperial)  
Maximum capacity  
**39600 lbs**

## EU standards CE

UNI ISO 4301-1: A1  
2006/42 CE-2014/30 UE-2014/35 UE  
2000/14 CE and subsequent amendments.  
EN 13000:2014-ANSI/ASME B30.5-2021  
and subsequent amendments.



## JMG Cranes S.p.A.

**Offices and plant:** Via dell'Innovazione, 3 - 29010 Sarmato (PC) - Italy

**Registered Office:** Via Dante, 15 - 26100 Cremona - Italy

**Administration:** Via Bergamo, 142 - 26100 Cremona - Italy

+39 0523 8486

info@jmgcranes.com

www.jmgcranes.com





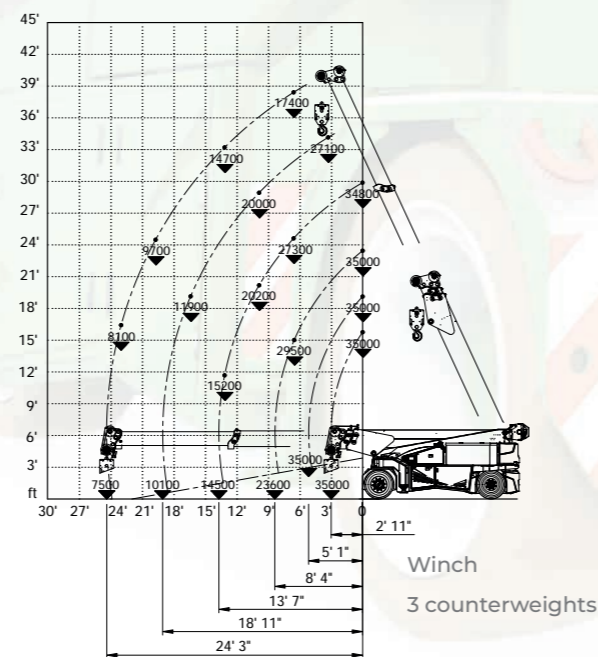
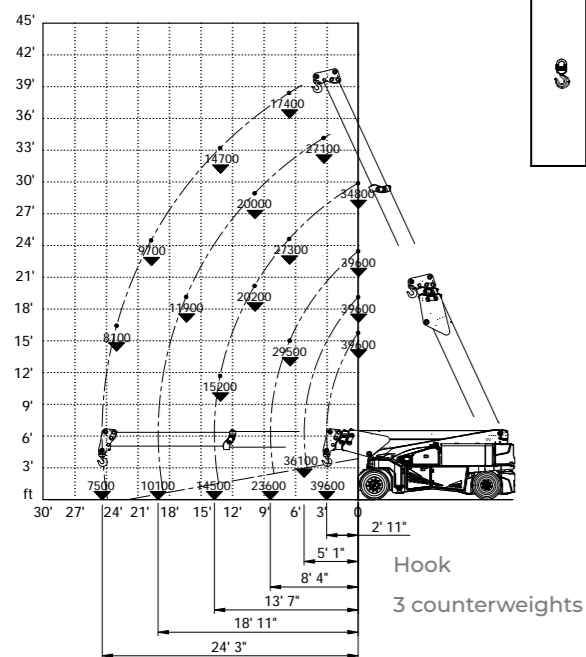
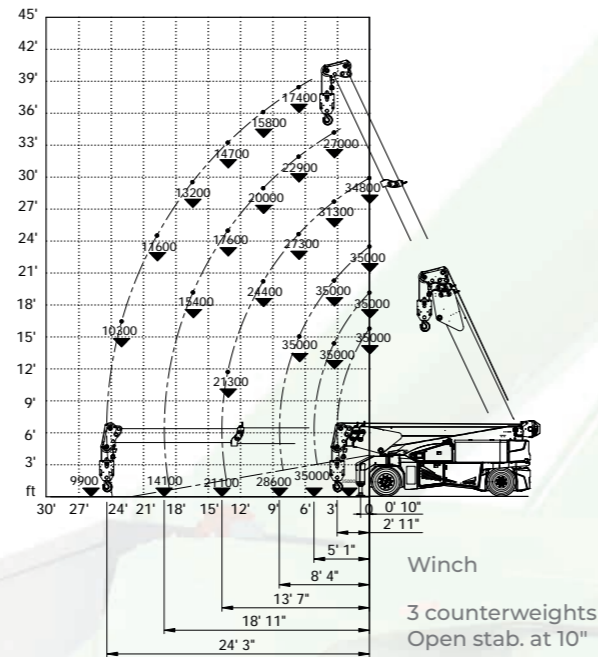
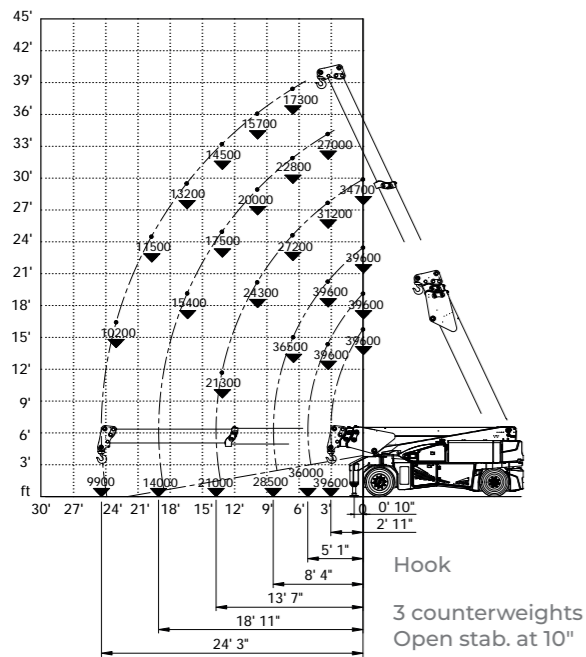
## Features

- Radio-controlled mobile crane
- Proportional telescopic boom
- Front wheels drive with counter-rotation
- Tilttable head
- 3 removable counterweights
- Front compass stabilizers

## Optional

- Hydraulic winch
- Mechanical jib with mechanical extension
- Hydraulic jib with hydraulic extension
- Hydraulic forks
- Customer paint colour

## Load charts



N. MAX ROPE [G]	35000 lbs
SINGLE ROPE [I]	6000 lbs

## Technical features

Maximum capacity	39600 lbs
Dimensions ft	14'-10" x 6'-6" x 6'-6"

- Front wheels drive  
nr.2 electric motors 10kW 96V AC
- Total lbs 47700  
nr.3 removable counterweights  
lbs 13400 (lbs 4400+lbs 4400+lbs 4600)
- Armoured plate battery 96V 1.035 Ah
- nr.4 front superelastic 355/50-20"  
nr.2 rear superelastic 355/50-20"
- Rear steering  
Steering angle -90°/+90°

- L.M.I. Electronic safe load indicator and tilting moment limiter
- Automatic braking system
- Fabricated from preformed and welded quality steel plate
- Inclination angle +65°/-6°
- nr.1 electric motor 23kW 96V AC  
nr.1 electric motor 16kW 96V AC

## Overall dimensions

