

Data subject to change without prior notice
Edition 10/2022 © 2022 JMG Cranes S.p.A. All rights reserved
Rev. 2 - 10/22

JMG Cranes S.p.A.

Sales & Service Office

Via Bergamo, 142

26100 Cremona - Italy

t +39 0372 1786738

Production Plant

Via Zuccherificio 2

29010 Sarmato (PC) - Italy

t +39 0523 8486

e info@jmgcranes.com



Electric Pick & Carry Cranes



MC 70S (metric)
Max Capacity 7,000 Kg

www.jmgcranes.com

JMG[®]
movetosolution

RADIO REMOTE CONTROLLED

FRONT-WHEELS DRIVE WITH COUNTER ROTATION

REMOVABLE COUNTERWEIGHTS

TELESCOPIC BOOM

TILTABLE HEAD

Options :

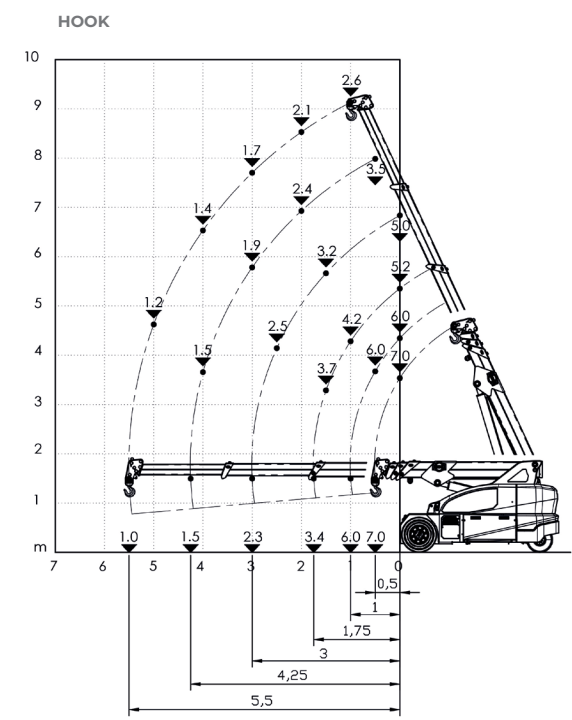
- HYDRAULIC WINCH
- HYDRAULIC JIB
- MANUAL JIB
- MANUAL EXTENSION
- NON-MARKING TIRES
- HYDRAULIC FORKS
- MAN BASKET
- ATEX CONVERSIONS
- CUSTOMIZED PAINTING



i **Technical features**

| | | | |
|-----------------|---------------|--|---|
| Max Capacity kg | 7,000 | Front-wheels drive. 2 electric motors AC 3,5 kW 72V Insulation class H | LMI. Electronic safe load indicator and tilting moment limiter |
| | Dimensions mm | 3726x1380x1869 | Total Kg. 8,800 Removable counterweights Kg,3,100 |
| | | | 72 V - 640 Ah 8 working hours |
| | | Front nr. 2 superelastic 250-15" Rear nr. 2 superelastic 21x8-9" | Fabricated from preformed and welded quality steel plate |
| | | Rear Steering angle -90°/+90° | +65°/-10° |
| | | | Motor driven pump 12 kW - 72 V AC, Insulation class H |

Load charts



EU Standards CE

| | |
|--|--|
| | UNI ISO 4301-1: A1 |
| | 2006/42 CE-2014/30 UE-2014/35 UE- 2000/14 and subsequent modifications |
| | EN 13000:2014 ANSI/ASME B30.5-2011 and subsequent modifications |

