

Data subject to change without prior notice
Edition 10/2022 © 2022 JMG Cranes S.p.A. All rights reserved
Rev. 2 - 10/22

JMG Cranes S.p.A.

Sales & Service Office

Via Bergamo, 142

26100 Cremona - Italy

t +39 0372 1786738

Production Plant

Via Zuccherificio 2

29010 Sarmato (PC) - Italy

t +39 0523 8486

e info@jmgcranes.com



Electric Pick & Carry Cranes



MC 350 (metric)
Max Capacity
35,000 kg

www.jmgcranes.com

JMG[®]
movetosolution

MC 350

FRONT-WHEELS DRIVE WITH COUNTER ROTATION
 PROPORTIONAL TELESCOPIC BOOM
 REMOVABLE COUNTERWEIGHTS

Options :

- HYDRAULIC WINCH
- HYDRAULIC JIB
- HYDRAULIC EXTENSION
- BENDABLE MANUAL JIB
- MANUAL EXTENSION
- NON-MARKING TIRES
- FRONT OUTRIGGERS
- RADIO REMOTE CONTROL
- HYDRAULIC FORKS
- MAN BASKET
- ATEX CONVERSIONS
- CUSTOMIZED PAINTING

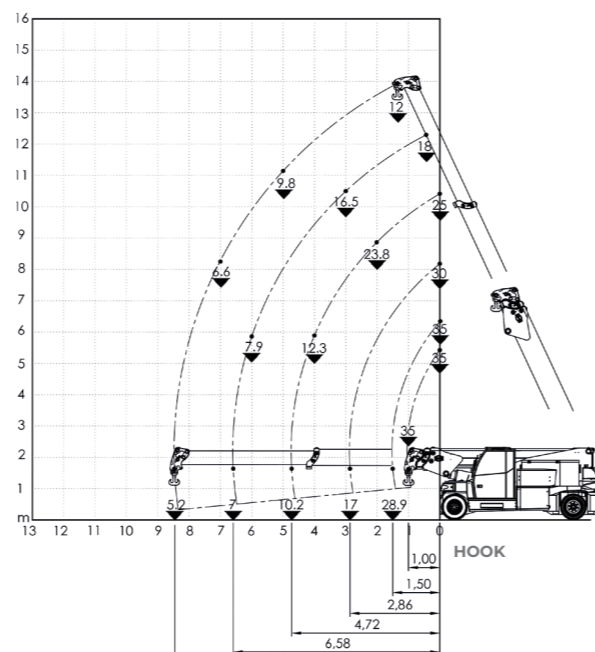


Technical features

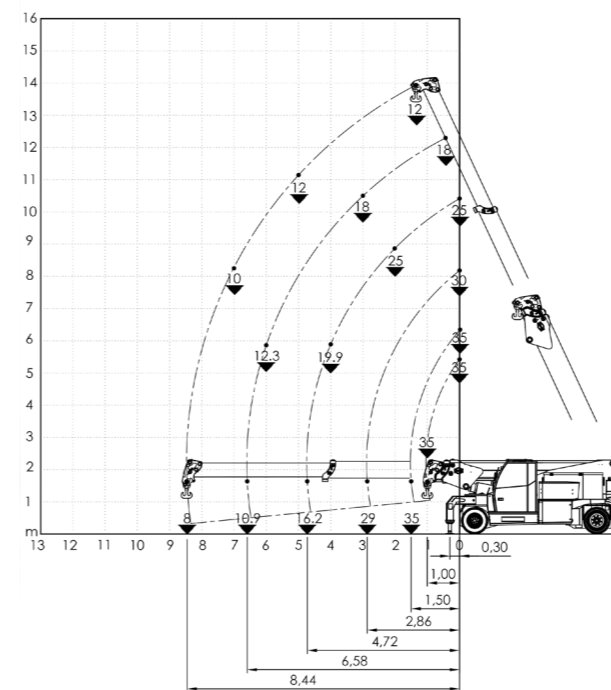
Max Capacity kg	35,000
Dimensions mm	5170x2250x2295

	Front-wheels drive. 2 electric motors AC 12 kW 96V Insulation class H	LMI.	Electronic safe load indicator and tilting moment limiter
	Total Kg. 31,300 Removable counterweights Kg. 8,700		Hydraulically foot controlled service brake on all wheels, hydraulically automatic or button controlled parking brake on front wheels
	96 V - 1395 Ah 8 working hours		Fabricated from preformed and welded quality steel plate
	Front nr. 4 superelastic 355/50-20" Rear nr. 4 superelastic 355/50-20"		+60°/-6°
	Rear Steering angle -90°/+90°		Motor driven pump 1x35 kW - 96 V AC, 1x23 kW - 96 AC.

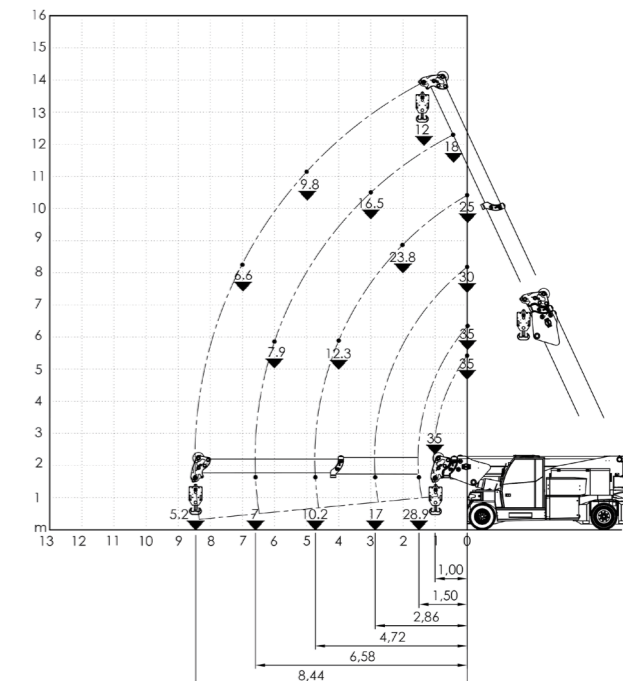
Load charts



FRONT OUTRIGGERS



HYDRAULIC WINCH



EU Standards CE

	UNI ISO 4301-1: A1
	2006/42 CE-2014/30 UE-2014/35 UE- 2000/14 e and subsequent modifications
	EN 13000:2014 ANSI/ASME B30.5-2011 and subsequent modifications

Dimensions

