

Data subject to change without prior notice
Edition 10/2022 © 2022 JMG Cranes S.p.A. All rights reserved
Rev. 2 - 10/22

JMG Cranes S.p.A.

Sales & Service Office

Via Bergamo, 142

26100 Cremona - Italy

t +39 0372 1786738

Production Plant

Via Zuccherificio 2

29010 Sarmato (PC) - Italy

t +39 0523 8486

e info@jmgcranes.com



Electric Pick & Carry Cranes



MC 100S (metric)
Max Capacity 10,000 Kg

www.jmgcranes.com

JMG[®]
movetosolution

RADIO REMOTE CONTROLLED

FRONT-WHEELS DRIVE WITH COUNTER ROTATION

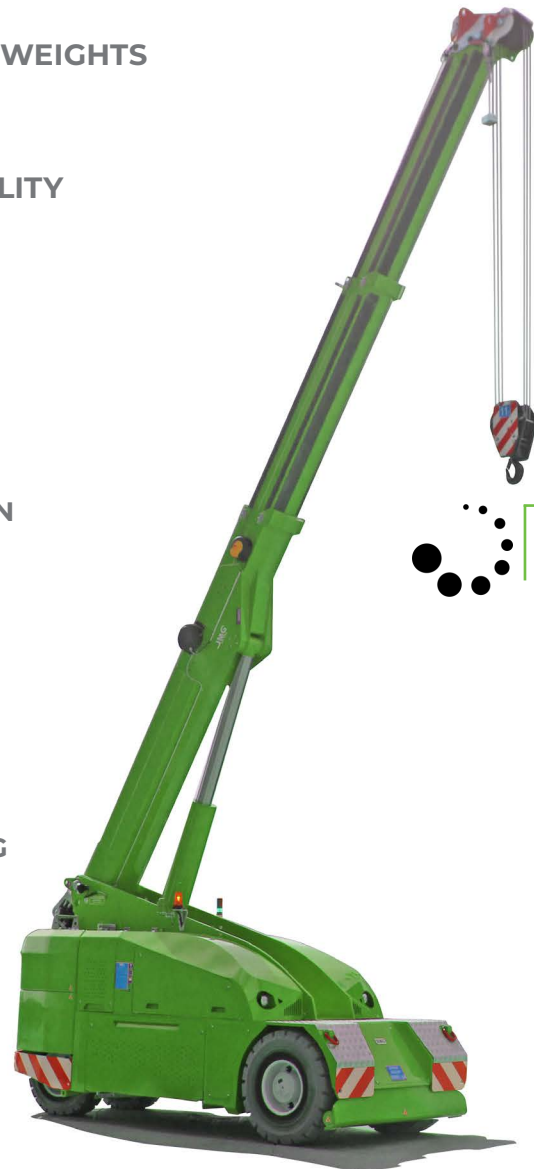
REMOVABLE COUNTERWEIGHTS

TELESCOPIC BOOM

FRONT BAR FOR STABILITY

Options :

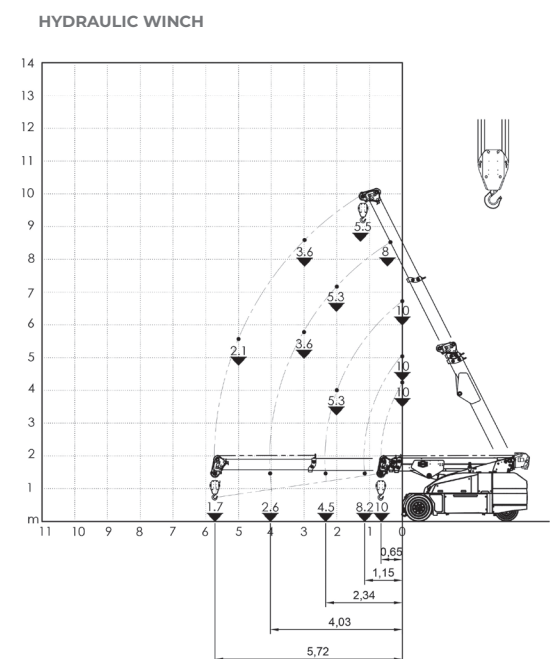
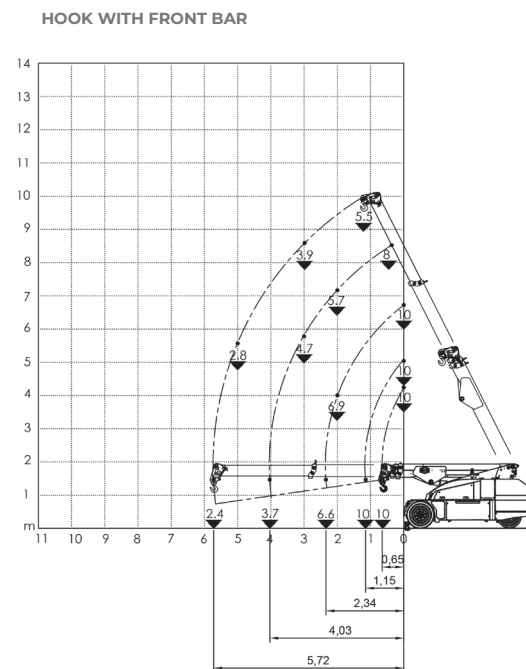
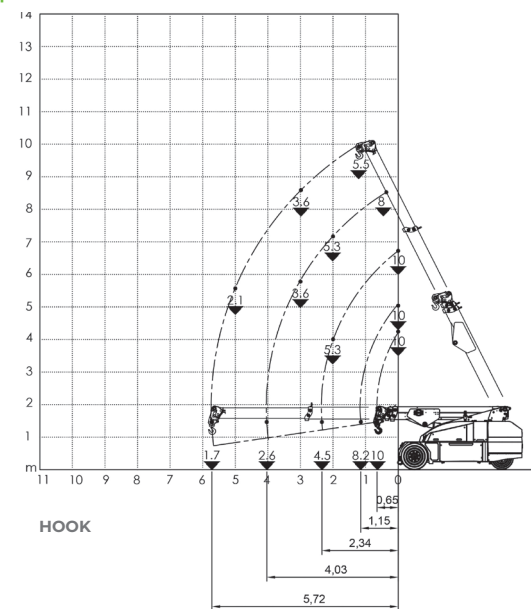
- HYDRAULIC WINCH
- HYDRAULIC JIB
- HYDRAULIC EXTENSION
- MANUAL JIB
- MANUAL EXTENSION
- NON-MARKING TIRES
- HYDRAULIC FORKS
- MAN BASKET
- ATEX CONVERSIONS
- CUSTOMIZED PAINTING



Technical features

Max Capacity kg	10,000	Front-wheels drive. 2 electric motors AC 7,5 kW 80V Insulation class H	LMI. Electronic safe load indicator and tilting moment limiter
	Dimensions mm	Total Kg. 11,400 Removable counterweights Kg. 3,400	Automatic braking system on all wheels
80 V - 810 Ah 8 working hours		Fabricated from preformed and welded quality steel plate	
Front nr. 2 superelastic 355x65-15" Rear nr. 2 superelastic 250x15"		+63°/-10°	
	Rear Steering angle -90°/+90°	Motor driven pump 20 kW - 80 V AC, Insulation class H	

Load charts



EU Standards CE

	UNI ISO 4301-1: A1
	2006/42 CE-2014/30 UE-2014/35 UE- 2000/14 e and subsequent modifications
	EN 13000:2014 ANSI/ASME B30.5-2011 and subsequent modifications

Dimensions

